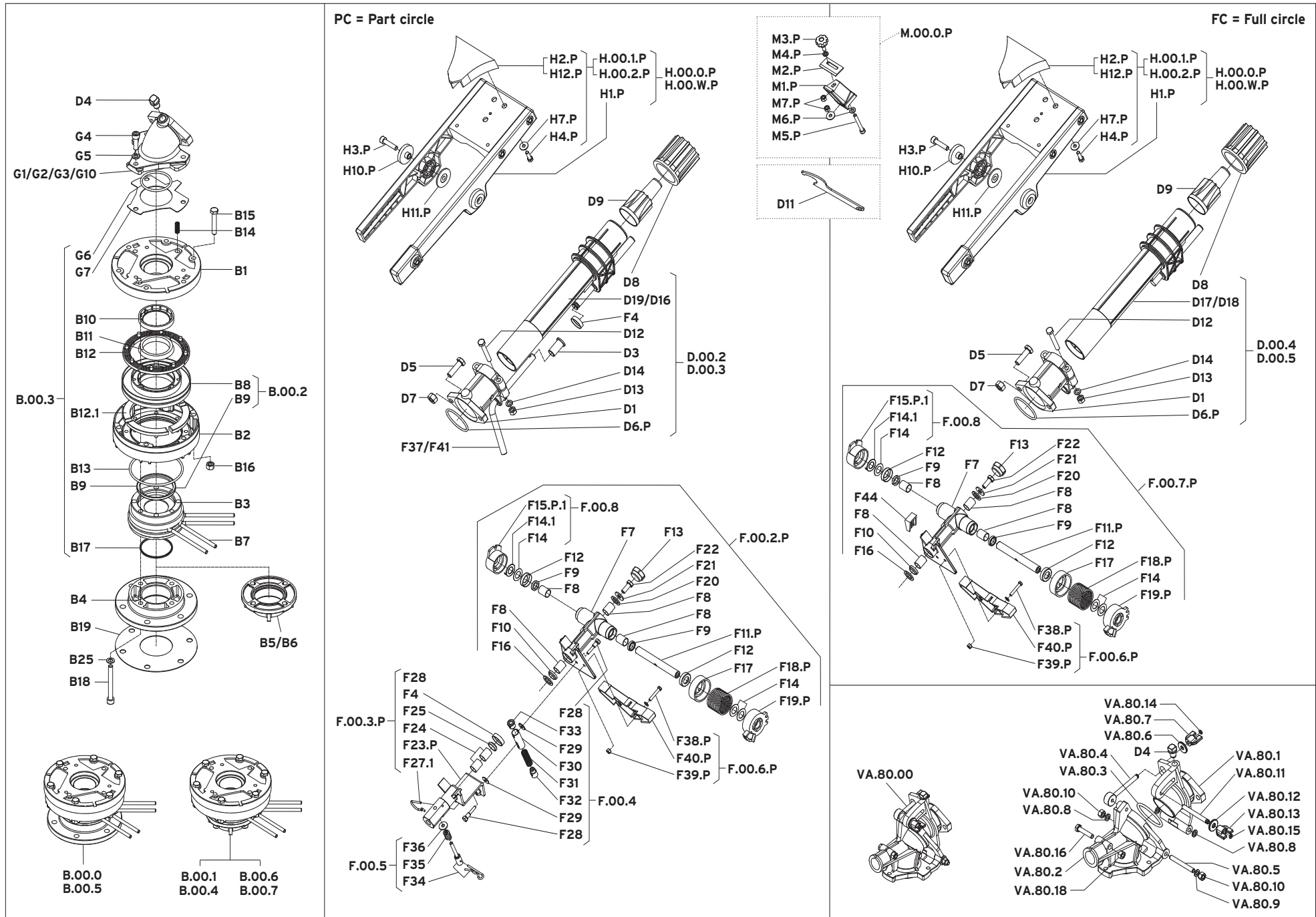


Spare Parts | Twin 101 Plus



Spare Parts | Twin 101 Plus

| | ENGLISH Description | DEUTSCH Bezeichnung | ITALIANO Denominazione | FRANCAIS Désignation | Q.ty Stk. Q.tà Q.té | Part Number Artikel-Nummer Codice Articolo Référence Pièce | |
|--------|------------------------------|--------------------------------|-----------------------------|-------------------------------|------------------------------|---|-----------------------------------|
| | | | | | | New Neue Nuovo Nouvelle | Old Aite Vecchio Vieille |
| B.00.0 | Kit Housing/flg. PC | Kit Körper/Flansch PC | Kit Corpo/flg. PC | Kit Corps/bride PC | 1 | 07010196 | TW101-O-B00.0 |
| B.00.1 | Kit Housing/2"BSP PC | Kit Körper/2"BSP PC | Kit Corpo/2"BSP PC | Kit Corps/2"BSP PC | 1 | 07010197 | TW101-O-B00.1 |
| B.00.4 | Kit Housing/2"NPT PC | Kit Körper/2"NPT PC | Kit Corpo/2"NPT PC | Kit Corps/2"NPT PC | 1 | 07010198 | TW101-O-B00.4 |
| B.00.5 | Kit Housing/flg. FC | Kit Körper/Flansch FC | Kit Corpo/flg. FC | Kit Corps/bride FC | 1 | 07010542 | TW101-O-B00.5 |
| B.00.6 | Kit Housing/2"BSP FC | Kit Körper/2"BSP FC | Kit Corpo/2"BSP FC | Kit Corps / 2"BSP FC | 1 | 07010543 | TW101-O-B00.6 |
| B.00.7 | Kit Housing/2"NPT FC | Kit Körper/2"NPT FC | Kit Corpo/2"NPT FC | Kit Corps / 2"NPT FC | 1 | 07010544 | TW101-O-B00.7 |
| B.1 | Housing cover | Deckel Lagergehäuse | Coperchio corpo | Couvercle corps | 1 | 03010077 | TW101-O-B1 |
| B.2 | Housing bearing | Lagergehäuse | Corpo cuscinetto | Corps roulement | 1 | 03010082 | TW101-O-B2 |
| B.3 | Base | Sockel | Base | Base | 1 | 03010080 | TW101-O-B3 |
| B.4 | Adapter/flange | Anschluss/Flansch | Attacco/flangia | Raccord/bride | 1 | 03010081 | TW101-O-B4 |
| B.5 | Adapter/2"BSP | Anschluss/2"BSP | Attacco/2"BSP | Raccord/2"BSP | 1 | 03010052 | TW101-O-B5 |
| B.6 | Adapter/2"NPT | Anschluss/2"NPT | Attacco/2"NPT | Raccord/2"NPT | 1 | 03010051 | TW101-O-B6 |
| B.7 | Trip stop ring | Sektorring | Anello settore | Anneau secteur | 2 | 02010114 | TW101-O-B7 |
| B.00.2 | Kit Bearing | Kit Lager | Kit Cuscinetto | Kit Roulement | 1 | 07010199 | TW101-O-B00.2 |
| B.8 | Bearing disk | Lagerpfanne | Disco cuscinetto | Disque roulement | 1 | 07010021 | --- |
| B.9 | Seal type "L" | Dichtung "L" Form | Guarnizione a "L" | Joint a "L" | 1 | 02010153 | --- |
| B.00.3 | Kit Brake | Kit Bremse | Kit Freno | Kit Frein | 1 | 07010200 | TW101-O-B00.3 |
| B.10 | Glide ring | Gleitring | Anello interno | Anneau roulement | 1 | 04010191 | --- |
| B.11 | Lip seal | Lippen-Dichtung | Guarnizione a labbro | Joint à levre | 1 | 02010110 | --- |
| B.12 | Brake pad upper | Bremsegment oben | Pastiglia freno superiore | Pastille frein sup. | 4 | 04010378 | --- |
| B.12.1 | Brake pad lower | Bremsegment unten | Pastiglia freno inferiore | Pastille frein inf. | 4 | 04010377 | --- |
| B.13 | O-Ring 4362 | O-Ring 4362 | O-Ring 4362 | O-Ring 4362 | 1 | 02010112 | TW101-O-B13 |
| B.14 | Brake spring | Bremsfeder | Molla per freno | Ressort frein | 4 | 02010113 | TW101-O-B14 |
| B.15 | Bolt M8x45 | Schraube M8x45 | Vite M8x45 | Vis M8x45 | 6 | 02010116 | TW101-O-B15 |
| B.16 | Nut M8 | Mutter M8 | Dado M8 | Ecrou M8 | 6 | 02010038 | TW101-O-B16 |
| B.17 | O-Ring 3225 | O-Ring 3225 | O-Ring 3225 | O-Ring 3225 | 1 | 02010111 | TW101-O-B17 |
| B.18 | Bolt M8x70-Drc | Schraube M8x70-Drc | Vite M8x70-Drc | Vis M8x70-Drc | 4 | 02010152 | TW101-O-B18 |
| B.19 | Gasket for flange connection | Flachdichtung Flanschanschluss | Guarniz. piana attacco flg. | Joint plat pour raccord bride | 1 | 02010100 | TW101-O-B19 |
| B.25 | Washer | Scheibe | Rondella | Rondelle | 4 | 04010550 | TW101-O-B25 |

| | | | | | | | |
|--------|---------------------------------|----------------------------|-----------------------------|-------------------------------|---|----------|---------------|
| D.00.2 | Kit Barrel/bracket PC | Kit Rohr/Lagerbock PC | Kit Tubo/staffa PC | Kit Fût/étrier PC | 1 | 07010204 | TW101-X-D00.2 |
| D.00.3 | Kit Barrel/bracket PC ww | Kit Rohr/Lagerbock PC ww | Kit Tubo/staffa PC ww | Kit Fût/étrier PC ww | 1 | 07010206 | TW101-X-D00.3 |
| D.00.4 | Kit Barrel/bracket FC | Kit Rohr/Lagerbock FC | Kit Tubo/staffa FC | Kit Fût/étrier FC | 1 | 07010538 | TW101-X-D00.4 |
| D.00.5 | Kit Barrel/bracket FC ww | Kit Rohr/Lagerbock FC ww | Kit Tubo/staffa FC ww | Kit Fût/étrier FC ww | 1 | 07010540 | TW101-X-D00.5 |
| D.1 | Flange | Flansch | Flangia | Bride | 1 | 03010039 | TW101-O-D1 |
| D.3 | Bushing for reverse rod | Büchse für Wendehebel | Boccola per asta inversione | Douille pour tige inversion | 1 | 04010085 | TW101-O-D3 |
| D.4 | Plug | Pfropfen | Tappo | Bouchon | 1 | 04010523 | TW101-O-D4 |
| D.5 | Bolt M10x35 | Schraube M10x35 | Vite M10x35 | Vis M10x35 | 2 | 02010126 | TW101-O-D5 |
| D.6.P | O-Ring 153 | O-Ring 153 | O-Ring 153 | O-Ring 153 | 1 | 02010154 | TW101-O-D6-P |
| D.7 | Nut M10 | Mutter M10 | Dado M10 | Ecrou M10 | 2 | 02010127 | TW101-O-D7 |
| D.8 | Nozzle holder | Überwurfmutter | Bocchettone | Ecrou buse | 1 | 04010206 | TW101-X-D8 |
| D.9.12 | Taper bore nozzle 12 mm / 0.47" | Weitwurfdüse 12 mm / 0.47" | Ugello conico 12 mm / 0.47" | Buse lng portée 12 mm / 0.47" | 1 | 04010224 | TW101-O-D9-12 |
| D.9.14 | Taper bore nozzle 14 mm / 0.55" | Weitwurfdüse 14 mm / 0.55" | Ugello conico 14 mm / 0.55" | Buse lng portée 14 mm / 0.55" | 1 | 04010225 | TW101-O-D9-14 |
| D.9.16 | Taper bore nozzle 16 mm / 0.63" | Weitwurfdüse 16 mm / 0.63" | Ugello conico 16 mm / 0.63" | Buse lng portée 16 mm / 0.63" | 1 | 04010226 | TW101-O-D9-16 |
| D.9.17 | Taper bore nozzle 17 mm / 0.67" | Weitwurfdüse 17 mm / 0.67" | Ugello conico 17 mm / 0.67" | Buse lng portée 17 mm / 0.67" | 1 | 04010604 | TW101-O-D9-17 |
| D.9.18 | Taper bore nozzle 18 mm / 0.71" | Weitwurfdüse 18 mm / 0.71" | Ugello conico 18 mm / 0.71" | Buse lng portée 18 mm / 0.71" | 1 | 04010227 | TW101-O-D9-18 |
| D.9.19 | Taper bore nozzle 19 mm / 0.75" | Weitwurfdüse 19 mm / 0.75" | Ugello conico 19 mm / 0.75" | Buse lng portée 19 mm / 0.75" | 1 | 04010605 | TW101-O-D9-19 |
| D.9.20 | Taper bore nozzle 20 mm / 0.79" | Weitwurfdüse 20 mm / 0.79" | Ugello conico 20 mm / 0.79" | Buse lng portée 20 mm / 0.79" | 1 | 04010228 | TW101-O-D9-20 |
| D.9.21 | Taper bore nozzle 21 mm / 0.83" | Weitwurfdüse 21 mm / 0.83" | Ugello conico 21 mm / 0.83" | Buse lng portée 21 mm / 0.83" | 1 | 04010606 | TW101-O-D9-21 |
| D.9.22 | Taper bore nozzle 22 mm / 0.87" | Weitwurfdüse 22 mm / 0.87" | Ugello conico 22 mm / 0.87" | Buse lng portée 22 mm / 0.87" | 1 | 04010229 | TW101-O-D9-22 |
| D.9.23 | Taper bore nozzle 23 mm / 0.91" | Weitwurfdüse 23 mm / 0.91" | Ugello conico 23 mm / 0.91" | Buse lng portée 23 mm / 0.91" | 1 | 04010607 | TW101-O-D9-23 |
| D.9.24 | Taper bore nozzle 24 mm / 0.94" | Weitwurfdüse 24 mm / 0.94" | Ugello conico 24 mm / 0.94" | Buse lng portée 24 mm / 0.94" | 1 | 04010230 | TW101-O-D9-24 |
| D.11 | Nozzle wrench | Düsenschlüssel | Chiave bocchettone | Clé de service | 1 | 02010102 | TW101-O-D11 |
| D.12 | Bolt M8x55 | Schraube M8x55 | Vite M8x55 | Vis M8x55 | 2 | 02010165 | TW101-O-D12 |
| D.13 | Nut M8 | Mutter M8 | Dado M8 | Ecrou M8 | 2 | 02010038 | TW101-O-D13 |
| D.14 | Washer 8 | Scheibe 8 | Rondella 8 | Rondelle 8 | 2 | 02010041 | TW101-O-D14 |
| D.16 | Barrel/bracket PC ww | Rohr/Lagerbock PC ww | Tubo/staffa PC ww | Fût/étrier PC ww | 1 | 04010374 | TW101-O-D16 |
| D.17 | Barrel/bracket FC | Rohr/Lagerbock FC | Tubo/staffa FC | Fût/étrier FC | 1 | 04010265 | TW101-O-D17 |

Spare Parts | Twin 101 Plus

| | ENGLISH | DEUTSCH | ITALIANO | FRANCAIS | Q.ty Stk. Q.tà Q.té | Part Number Artikel-Nummer Codice Articolo Référence Pièce | |
|----------|---------------------------------|----------------------------------|------------------------------------|---------------------------------------|------------------------------|---|-----------------------------------|
| | Description | Bezeichnung | Denominazione | Désignation | | New Neue Nuovo Nouvelle | Old Alte Vecchio Vieille |
| D.18 | Barrel/bracket FC ww | Rohr/Lagerbock FC ww | Tube/staffa FC ww | Fût/étrier FC ww | 1 | 04010375 | TW101-O-D18 |
| D.19 | Barrel/bracket PC | Rohr/Lagerbock PC | Tube/staffa PC | Fût/étrier PC | 1 | 04010261 | TW101-O-D19 |
| F.4 | Dust ring | Staubring | Parapolvere | Anneau antipoussière | 1 | 04010393 | TW101-O-F4 |
| F.00.2.P | Kit Shift lever front PC | Kit Gelenk vorne PC | Kit Snodo anteriore PC | Kit Déclenchement ant. PC | 1 | 07010207 | TW101-O-F00.2.P |
| F.7 | Shift lever front | Kreuzgelenk vorne | Snodo crociera anteriore | Levier déclenchement ant. | 1 | 03010076 | --- |
| F.8 | Bushing | Büchse | Boccola | Douille | 4 | 02010124 | --- |
| F.9 | Labyrinth seal | Labyrinth-Dichtung | Guarnizione labirinto | Joint labyrinthe | 2 | 04010204 | --- |
| F.10 | Dust seal | Abstreif-Dichtung | Guarnizione raschiatore | Joint antipoussière | 1 | 02010119 | --- |
| F.11.P | Shaft drive arm | Welle Schwingarm | Perno braccio oscillante | Pivot bras oscillant | 1 | 04010238 | --- |
| F.12 | Cover for hub | Deckel für Nabe | Coprimozzo | Couvercle pour moyeu | 2 | 02010121 | --- |
| F.13 | Plug shift lever front | Pfropfen Kreuzgelenk vorne | Tappo snodo crociera ant. | Bouchon déclenchement ant. | 1 | 04010241 | --- |
| F.14 | Washer 0,7 | Scheibe 0,7 | Rondella 0,7 | Rondelle 0,7 | 3 | 02010149 | TW101-O-F14 |
| F.14.1 | Washer w/pin | Scheibe mit Stopper | Rondella antigiro | Rondelle avec cran d'arret | 1 | 02010276 | TW101-O-F14.1 |
| F.15.P1 | Cover w/pin | Abdeckung mit Stopper | Paraspruzzo antigiro | Capuchon avec cran d'arret | 1 | 04010588 | TW101-O-F15.P1 |
| F.16 | Washer | Scheibe | Rondella scorrimento | Rondelle | 1 | 02010123 | TW101-O-F16 |
| F.17 | Spring housing internal | Federgehäuse innen | Scatola molla interna | Boîte ressort interne | 1 | 04010236 | TW101-O-F17 |
| F.18.P | Spring drive arm | Feder Schwingarm | Molla braccio oscillante | R ressort bras oscillant | 1 | 02010156 | TW101-O-F18.P |
| F.19.P | Spring housing external | Federgehäuse aussen | Scatola molla esterna | Boîte ressort externe | 1 | 04010240 | TW101-O-F19.P |
| F.20 | Washer | Scheibe | Rondella scorrimento | Rondelle | 1 | 02010122 | TW101-O-F20 |
| F.21 | Washer | Scheibe | Rondella | Rondelle | 1 | 04010194 | TW101-O-F21 |
| F.22 | Bolt M8x20 | Schraube M8x20 | Vite M8x20 | Vis M8x20 | 1 | 02010036 | TW101-O-F22 |
| F.00.3.P | Kit Shift lever rear | Kit Gelenk hinten | Kit Snodo posteriore | Kit Déclenchement post. | 1 | 07010208 | TW101-O-F00.3.P |
| F.23.P | Shift lever rear | Schaltgelenk hinten | Snodo posteriore | Levier déclenchement pos. | 1 | 03010028 | --- |
| F.24 | Bushing | Büchse | Boccola | Douille | 2 | 02010124 | --- |
| F.25 | Dust seal | Abstreif-Dichtung | Guarnizione raschiatore | Joint antipoussière | 1 | 02010119 | --- |
| F.27.1 | Pin for reverse rod | Stift Fixierung Wendehebel | Spina fissaggio leva settore | Cheville pour tige inversion | 1 | 02010157 | TW101-O-F27.1 |
| F.00.4 | Kit Trip spring | Kit Sektorfeder | Kit Molla scatto settore | Kit Ressort inversion | 1 | 07010209 | TW101-O-F00.4 |
| F.28 | Bolt for sleeve | Schraube für Hülse | Vite per bussola | Vis pour douille | 2 | 04010196 | --- |
| F.29 | Washer sleeve | Scheibe für Büchse | Rondella bussola | Rondelle douille | 2 | 04010199 | --- |
| F.30 | Spring sleeve | Federhülse | Bussola scatto settore | Douille ressort | 1 | 02010120 | --- |
| F.31 | Trip spring | Feder fuer Schaltung | Molla scatto settore | R ressort inversion | 1 | 02010117 | --- |
| F.32 | Guide for sleeve | Gleitnuppe für Hülse | Nottolino per bussola | Taquet pour douille | 1 | 04010197 | --- |
| F.33 | Plug sleeve | Kappe für Hülse | Tappo bussola | Bouchon douille | 1 | 04010198 | --- |
| F.00.5 | Kit Trip bolt | Kit Arretierung Sektor | Kit Vite disinnesto settore | Kit Vis positionnement secteur | 1 | 07010210 | TW101-O-F00.5 |
| F.34 | Trip bolt | Stellschraube Wendehebel | Vite disinnesto settore | Vis positionnement tige inver. | 1 | 07010023 | --- |
| F.35 | Spring for trip bolt | Feder für Arretierung | Molla per vite disinnesto set. | R ressort pour vis posit. sect. | 1 | 02010182 | --- |
| F.36 | Washer 6,5 | Scheibe 6,5 | Rondella 6,5 | Rondelle 6,5 | 1 | 02010160 | --- |
| F.37 | Reverse rod 24' | Wendehebel 24' | Asta inversione 24' | Tige inv. secteur 24' | 1 | 04010205 | TW101-X-F37 |
| F.00.6.P | Kit Drive arm support | Kit Anschlag Schwingarm | Kit Arresto braccio | Kit Arrêt bras oscillant | 1 | 07010211 | TW101-O-F00.6.P |
| F.38.P | Bolt M5x30 | Schraube M5x30 | Vite M5x30 | Vis M5x30 | 2 | 02010339 | --- |
| F.39.P | Nut M5 | Mutter M5 | Dado M5 | Ecrou M5 | 2 | 02010129 | --- |
| F.40.P | Drive arm support | Schwingarm Auflage | Arresto braccio oscillante | Arrêt bras oscillant | 1 | 04010237 | --- |
| F.41 | Reverse rod VA10'-28' | Wendehebel VA10'-28' | Asta inversione VA10'-28' | Tige inv. secteur VA10'-28' | 1 | 04010408 | TW101-X-F41 |
| F.44 | Wedge FC | Keil FC | Cuneo FC | Cône FC | 1 | 04010411 | TW101-O-F44 |
| F.00.7.P | Kit Shift lever front FC | Kit Gelenk vorne FC | Kit Snodo anteriore FC | Kit Déclenchement ant. FC | 1 | 07010546 | TW101-O-F00.7.P |
| F.00.8 | Kit Cover w/pin | Kit Abdeckung mit Stopper | Kit Paraspruzzo antigiro | Kit Capuchon avec cran d'arret | 1 | 07010585 | TW101-O-F00.8 |
| G.1 | Elbow 24' | Krümmen 24' | Curva 24' | Coude 24' | 1 | 03010027 | TW101-O-G1 |
| G.2 | Elbow 21' | Krümmen 21' | Curva 21' | Coude 21' | 1 | 03010034 | TW101-O-G2 |
| G.3 | Elbow 18' | Krümmen 18' | Curva 18' | Coude 18' | 1 | 03010035 | TW101-O-G3 |
| G.4 | Bolt M8x25 | Schraube M8x25 | Vite M8x25 | Vis M8x25 | 3 | 02010034 | TW101-O-G4 |
| G.5 | Washer 8 | Scheibe 8 | Rondella 8 | Rondelle 8 | 3 | 02010041 | TW101-O-G5 |
| G.6 | O-Ring 156 | O-Ring 156 | O-Ring 156 | O-Ring 156 | 1 | 02010118 | TW101-O-G6 |
| G.7 | Gasket elbow | Flach-Dichtung Kurve | Guarniz. piana curva | Joint plat coude | 1 | 02010243 | TW101-O-G7 |
| G.10 | Elbow 12' | Krümmen 12' | Curva 12' | Coude 12' | 1 | 03010053 | TW101-O-G10 |
| H.00.0.P | Kit Drive arm | Kit Schwingarm | Kit Braccio oscillante | Kit Bras oscillant | 1 | 07010212 | TW101-O-H00.0.P |

Spare Parts | Twin 101 Plus

| | ENGLISH Description | DEUTSCH Bezeichnung | ITALIANO Denominazione | FRANCAIS Désignation | Q.ty Stk. Q.tà Q.té | Part Number Artikel-Nummer Codice Articolo Référence Pièce | |
|----------|----------------------------------|-----------------------------------|----------------------------------|-------------------------------------|------------------------------|---|-----------------------------------|
| | | | | | | New Neue Nuovo Nouvelle | Old Aite Vecchio Vieille |
| H.00.W.P | Kit Drive arm ww | Kit Schwingarm ww | Kit Braccio oscillante ww | Kit Bras oscillant ww | 1 | 07010213 | TW101-O-H00.W.P |
| H.1.P | Drive arm | Schwingarm | Braccio oscillante | Bras oscillant | 1 | --- | --- |
| H.00.1.P | Kit Deflector | Kit Deflektor | Kit Deflettore | Kit Déflecteur | 1 | 07010214 | TW101-O-H00.1.P |
| H.00.2.P | Kit Deflector ww | Kit Deflektor ww | Kit Deflettore ww | Kit Déflecteur ww | 1 | 07010215 | TW101-O-H00.2.P |
| H.2.P | Deflector 36 | Deflektor 36 | Deflettore 36 | Déflecteur 36 | 1 | 04010524 | --- |
| H.3.P | Bolt M8x35 | Schraube M8x35 | Vite M8x35 | Vis M8x35 | 2 | 02010143 | TW101-O-H3.P |
| H.4.P | Screw E.J-K60x20 | Schraube E.J-K60x20 | Vite E.J-K60x20 | Vis E.J-K60x20 | 3 | 02010166 | --- |
| H.7.P | Washer 6,5 | Scheibe 6,5 | Rondella 6,5 | Rondelle 6,5 | 3 | 02010160 | --- |
| H.10.P | Hub drive arm external | Nabe Schwingarm aussen | Mozzo braccio osc. esterno | Moyeu bras externe | 2 | 04010249 | TW101-O-H10.P |
| H.11.P | Hub drive arm internal | Nabe Schwingarm innen | Mozzo braccio osc. interno | Moyeu bras interne | 2 | 04010250 | TW101-O-H11.P |
| H.12.P | Deflector 47 | Deflektor 47 | Deflettore 47 | Déflecteur 47 | 1 | 04010347 | --- |
| UPG | UPG drive arm SR->Plus | UPG-Schwingarm SR->Plus | UPG braccio SR->Plus | UPG bras oscillant SR->Plus | 1 | 07010216 | TW101-O-H00.UPG |
| M.00.0.P | Kit Dyn. jet-breaker Plus | Kit Dyn. Strahlstörer Plus | Kit Spartiacqua Plus | Kit Brise-jet dynamique Plus | 1 | 07010217 | TW101-O-M00.0.P |
| M.1.P | Base dyn. jet-breaker Plus | Sockel dyn. Störer Plus | Base spartiacqua Plus | Base brise-jet dyn. Plus | 1 | 04010242 | --- |
| M.2.P | Blade jet-breaker | Schneide Strahlstörer | Lama spartiacqua | Lame brise-jet | 1 | 02010427 | TW101-O-M2.P |
| M.3.P | Bolt W/grip | Sterngriff-Schraube | Vite con pomello | Vis | 1 | 02010432 | --- |
| M.4.P | Washer 6 | Scheibe 6 | Rondella 6 | Rondelle 6 | 1 | 02010042 | --- |
| M.5.P | Bolt M6x50 | Schraube M6x50 | Vite M6x50 | Vis M6x50 | 1 | 02010137 | --- |
| M.6.P | Washer 6,5 | Scheibe 6,5 | Rondella 6,5 | Rondelle 6,5 | 2 | 02010160 | --- |
| M.7.P | Nut M6-AB | Mutter M6-AB | Dado M6-AB | Ecrou M6-AB | 2 | 02010139 | --- |
| VA80.00 | Kit Vari Angle 10'-28' | Kit Vari Angle 10'-28' | Kit Vari Angle 10'-28' | Kit Vari Angle 10'-28' | 1 | 07010027 | TW-VA80.0000.0 |
| VA80.1 | Upper elbow VA80 | Halbkrümmer oben VA80 | Semicurva superiore VA80 | Coude superieur VA80 | 1 | 03010041 | TW-VA80.1006.2 |
| VA80.2 | Lower elbow 10'-28' VA80 | Halbkrümmer u. 10'-28' VA80 | Semicurva inf. 10'-28' VA80 | Coude inf. 10'-28' VA80 | 1 | 03010040 | TW-VA80.1007.2 |
| VA80.3 | O-Ring 6225 | O-Ring 6225 | O-Ring 6225 | O-Ring 6225 | 1 | 02010049 | TW-VA80.0R6225 |
| VA80.4 | Adjusting screw VA80 | Einstellschraube VA80 | Vite regolazione VA80 | Vis réglage VA80 | 1 | 04010217 | TW-VA80.3002.1 |
| VA80.5 | Bolt M8x150 | Gewindebolzen M8x150 | Tirante M8x150 | Tirant M8x150 | 1 | 04010218 | TW-VA80.M8X150 |
| VA80.6 | Washer VA80 | Scheibe VA80 | Rondella VA80 | Rondelle VA80 | 1 | 04010219 | TW-VA80.6028.2 |
| VA80.7 | Nut | Mutter | Dado | Ecrou | 1 | 03010022 | TW-VA80.6024.1 |
| VA80.8 | Washer 8 | Scheibe 8 | Rondella 8 | Rondelle 8 | 2 | 02010041 | TW-VA80.6032.1 |
| VA80.9 | Washer 8 | Scheibe 8 | Rondella 8 | Rondelle 8 | 2 | 02010041 | TW-VA80.6032.1 |
| VA80.10 | Nut M8 | Mutter M8 | Dado M8 | Ecrou M8 | 2 | 02010038 | TW-VA80.M8 |
| VA80.11 | Bolt M8x70 | Gewindebolzen M8x70 | Prigioniero M8x70 | Prisonnier M8x70 | 1 | 04010216 | TW-VA80.M8X70 |
| VA80.12 | Washer VA80 | Scheibe VA80 | Rondella VA80 | Rondelle VA80 | 1 | 04010219 | TW-VA80.6028.2 |
| VA80.13 | Nut | Mutter | Dado | Ecrou | 1 | 03010022 | TW-VA80.6024.1 |
| VA80.14 | O-Ring 2018 VT | O-Ring 2018 VT | O-Ring 2018 VT | O-Ring 2018 VT | 1 | 02010048 | TW-VA80.0R2018 |
| VA80.15 | O-Ring 2018 VT | O-Ring 2018 VT | O-Ring 2018 VT | O-Ring 2018 VT | 1 | 02010048 | TW-VA80.0R2018 |
| VA80.16 | Bolt M8x45 | Schraube M8x45 | Vite M8x45 | Vis M8x45 | 1 | 02010116 | TW-VA80.M8X45 |
| VA80.18 | Nut M8 | Mutter M8 | Dado M8 | Ecrou M8 | 1 | 02010038 | TW-VA80.M8 |

Grey shaded part numbers: not available as single parts, please select appropriate kit/assembly • Grau hinterlegte Ersatzteile: einzeln nicht erhältlich, sondern nur im entsprechenden Ersatzteil-Kit • Pezzi di ricambio su fondo grigio: non fornibili singolarmente, selezionare il kit ricambio desiderato • Pièces de rechange sur fond gris: ne sont pas disponibles séparément, sélectionner le kit pièces souhaité • Las referencias sombreadas en gris: no están disponibles como piezas solas, por favor seleccione el equipo/conjunto apropiado apropiado • Peças com números sombreados de cinza: não disponíveis como peças individuais, por favor, selecione o conjunto/montagem apropriado.