



**STRUTTURA**

**STRUCTURE**

**STRUCTURE**

**STRUKTUR**

**G2**



Struttura

**G2**

Modello / Model / Modèle / Model

**Tutti / All / Tous / Allen**

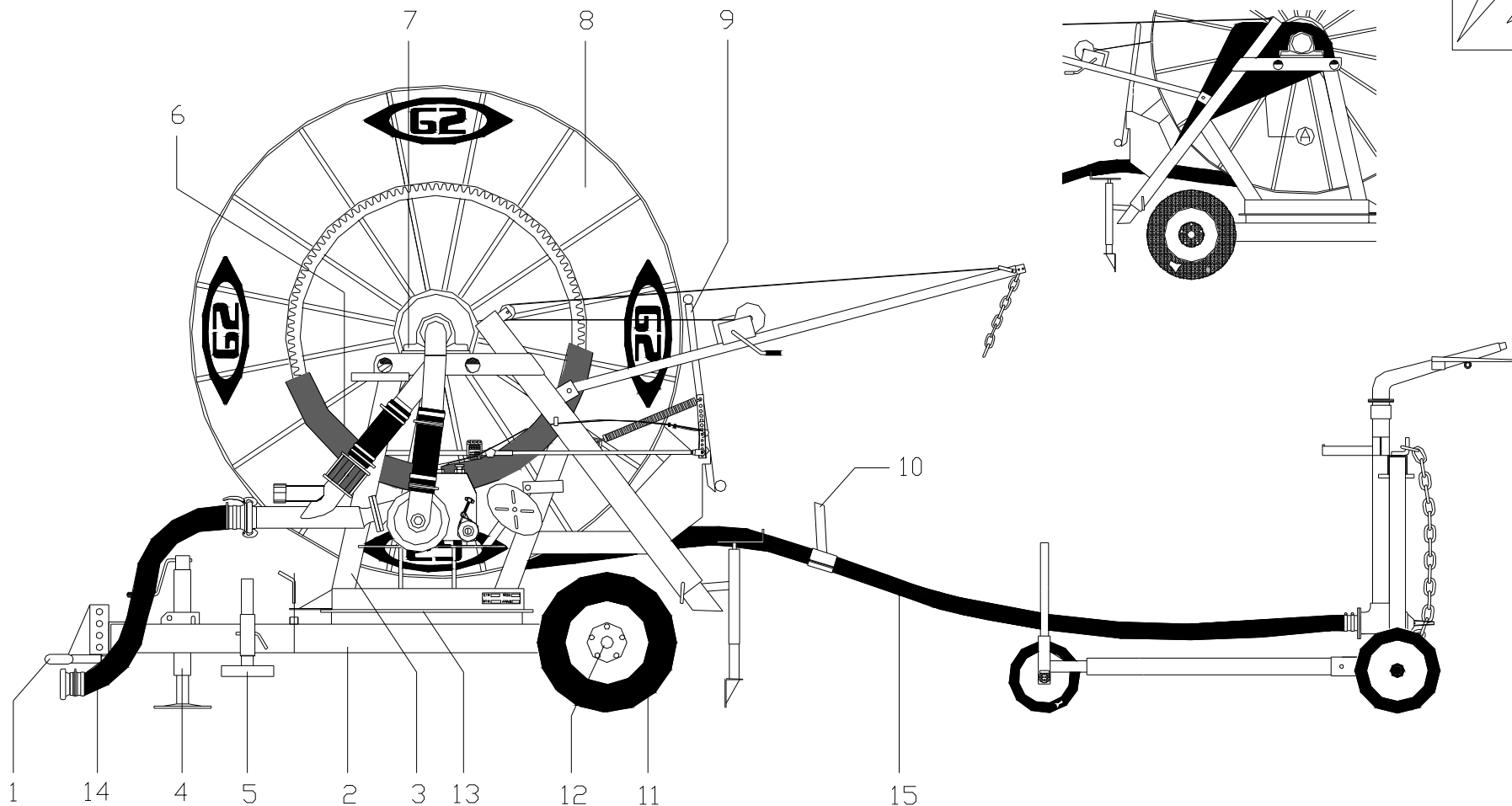
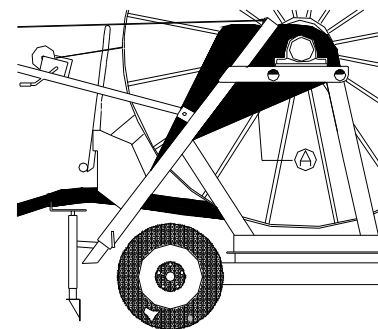
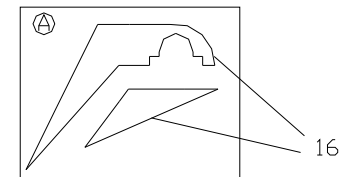
Particolare / Part / Part / Einzelheit

**TELAIO COMPLETO / COMPLETE FRAME**

**CHASSIS COMPLET / KOMPL. RAHMEN**

LATO TURBINA TURBINE SIDE  
COTE TURBINE TURBINENSEITE

LATO CATENA CHAIN SIDE  
COTE CHAINE KETTENSEITE





Struttura

**G2**

Modello / Model / Modèle / Model

**Tutti / All / Tous / Allen**

Particolare / Part / Part / Einzelheit

**TELAIO COMPLETO / COMPLETE FRAME**

**CHASSIS COMPLET / KOMPL. RAHMEN**

Fig.	Cod.	Q.tà	Descrizione	Description	Description	Beschreibung	Applicazione Application Applikation
1	50-01-00181	1	Occhione	Tow-eye	Tête d'attelage	Zugöse	
2	50-01-00559	1	Telaio inferiore	Bottom frame	Châssis inférieur	Unterrahmen	
3	50-01-00558	1	Telaio superiore	Up frame	Châssis supérieur	Überrahmen	
4	50-01-00184	1	Piedino alza timone 60x550	Tow-bar staker leg 60x550	Béquille sur timon 60x550	Zugschaft 60x550	
5	50-01-00191	2	Piedino per ala	Boom staker leg	Béquilles pour rampe arrosage	Zugschaft für Düsenwagen	
6	50-01-00329	1	Protezione corona	Crown guard	Protection couronne	Zahnkranz Gehäuse	
7	50-01-00233	1	Supporto UCP 214	UCP 214 support	Palier UCP 214	UCP 214 Stehlager	
8	50-01-00575	1	Rullo mod. 2	Drum mod. 2	Bobine mod. 2	Trommel mod. 2	70/300-75/300-75/320
8	50-01-00576	1	Rullo mod. 2.1	Drum mod. 2.1	Bobine mod. 2.1	Trommel mod. 2.1	82/220-82/250
8	50-01-00577	1	Rullo mod. 2.2	Drum mod. 2.2	Bobine mod. 2.2	Trommel mod. 2.2	82/300
8	50-01-00578	1	Rullo mod. 2.3	Drum mod. 2.3	Bobine mod. 2.3	Trommel mod. 2.3	90/220-90/250
9	50-01-00197	1	Snodo barra	Bar joint	Articulation barre débrayage	Abschaltbügel	
10	50-01-00202	1	Staffa fine corsa	Knock-off stirrup	Etrier débrayage	Abschaltvorrichtung	Ø70
10	50-01-00203	1	Staffa fine corsa	Knock-off stirrup	Etrier débrayage	Abschaltvorrichtung	Ø75-82
10	50-01-00204	1	Staffa fine corsa	Knock-off stirrup	Etrier débrayage	Abschaltvorrichtung	Ø90
11	50-01-00267	2	Ruota 195/60-14 5F	Wheel 205/60-14	Roue 205/60-14	Rad 205/60-14	
12	50-01-00285	2	Mozzo Ø45 5F L400	Hub Ø45 5F L400	Moyeu Ø45 5F L400	Steckachse Ø45 5F L400	
13	50-01-00441	1	Ralla 700 NU	Turn table 700 NU	Tourelle 700 NU	Drehkranz 700 NU	
14	50-01-00603	1	Manichetta flessibile 76x80	Flexible hose 76x80	Tuyau flexible 76x80	Anspeisschlauch 76x80	
15		1	Tube PE media densità*	Medium density PE hose *	Tuyau en PE médium densité *	PE Rohr *	
16	50-01-00693	1	Protezione catena	chain protection	protection chaîne	Kettenschutz	

\* Comunicare modello e matricola della macchina / State machine model and serial number / Spécifier modèle et numéro de série de la machine / Modell und Matrikelnummer der Maschine spezifizieren



Struttura

**G2**

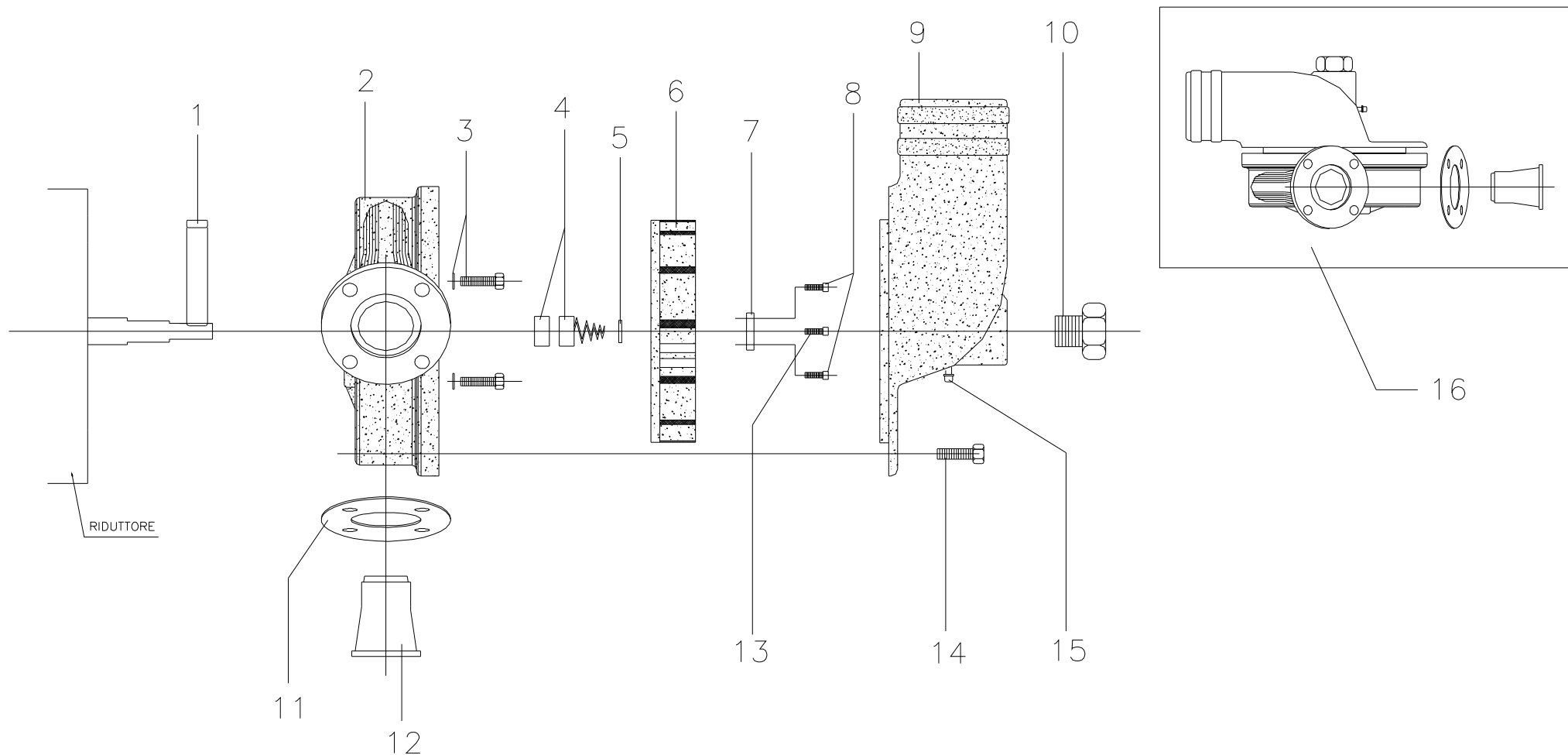
Modello / Model / Modèle / Model

**Tutti / All / Tous / Allen**

Particolare / Part / Part / Einzelheit

**TURBINA 195-60 / TURBINE 195-60**

**TURBINE 195-60 / TURBINE 195-60**





Struttura

**G2**

Modello / Model / Modèle / Model

**Tutti / All / Tous / Allen**

Particolare / Part / Part / Einzelheit

**TURBINA 195-60 / TURBINE 195-60**

**TURBINE 195-60 / TURBINE 195-60**

Fig.	Cod.	Q.tà	Descrizione	Description	Description	Beschreibung	Applicazione Application Applikation
1	50-01-00084	1	Chiavetta 5x5x16	Key 5x5x16	Clef 5x5x16	Schlüssel 5x5x16	
2	50-01-00060	1	Cassa turbina 195	Turbine box 195	Caisse turbine 195	Turbinengehäuse 195	
3	50-01-00090	4	Vite 8x35 T.C.E.I. + rondella in rame	Screw 8x35 T.C.E.I. + washer	Vis 8x35 T.C.E.I. + rondelle	Schraube 8x35 T.C.E.I. + Scheibe	
4	50-01-00072	1	Tenuta Roten 195 Ø16	Roten seal 195 Ø16	Joint Roten 195 Ø16	Roten Gleitringdichtung 195 Ø16	
5	50-01-00075	1	Spessore 15x21x1,2	Washer 15x21x1,2	Epaisseur 15x21x1,2	Ring 15x21x1,2	
6	50-01-00064	1	Girante 195	Impeller 195	Roue tournante 195	Turbinenlaufrad 195	
7	50-01-00085	1	Fermo 195	Catch 195	Arrêt 195	Halter 195	
8	50-01-00087	2	Vite 6x20 T.C.E.I.	Screw 6x20 T.C.E.I.	Vis 6x20 T.C.E.I.	Schraube 6x20 T.C.E.I.	
9	50-01-00068	1	Coperchio turbina 195/60	Turbine guard 195/60	Protection turbine 195/60	Lagerdeckel i. Gehäuse 195/60	
10	50-01-00079	1	Tappo in ottone 195-260	Cap 195-260	Bouchon 195-260	Kupferschraube 195-260	
11	50-01-00100	1	Guarnizione ugello turbina 195	Turbine nozzle gasket 195	Joint pour buse turbine 195	Turbinendüsedichtung 195	
12	50-01-00093	1	Boccaglio turbina Ø18	Turbine nozze Ø18	Buse turbine Ø18	Turbinendüse Ø18	Ø70
12	50-01-00094	1	Boccaglio turbina Ø22	Turbine nozze Ø22	Buse turbine Ø22	Turbinendüse Ø22	Ø75-82-90
13	50-01-00088	1	Vite 6x25 T.C.E.I. + rondella dentata	Screw 6x25 T.C.E.I. + toothed washer	Vis 6x25 T.C.E.I. +rondelle	Schraube 6x25 T.C.E.I. + Scheibe	
14	50-01-00089	9	Vite 10x35 T.C.E.I. rondella Ø10	Screw 10x35 T.C.E.I. + washer Ø10	Vis 10x35 T.C.E.I. +rondelle Ø10	Schraube 10x35 T.C.E.I. + Scheibe Ø10	
15	50-01-00081	1	Valvola di scarico 1/4"	Outlet valve 1/4"	Vanne de décharge 1/4"	Unterdruckabschaltventil 1/4"	
16	50-01-00105	1	Turbina completa mod. 195/60	Complet turbine mod. 195/60	Turbine complète mod. 195/60	Turbine kompl. Mod. 195/60	



Struttura

**G2**

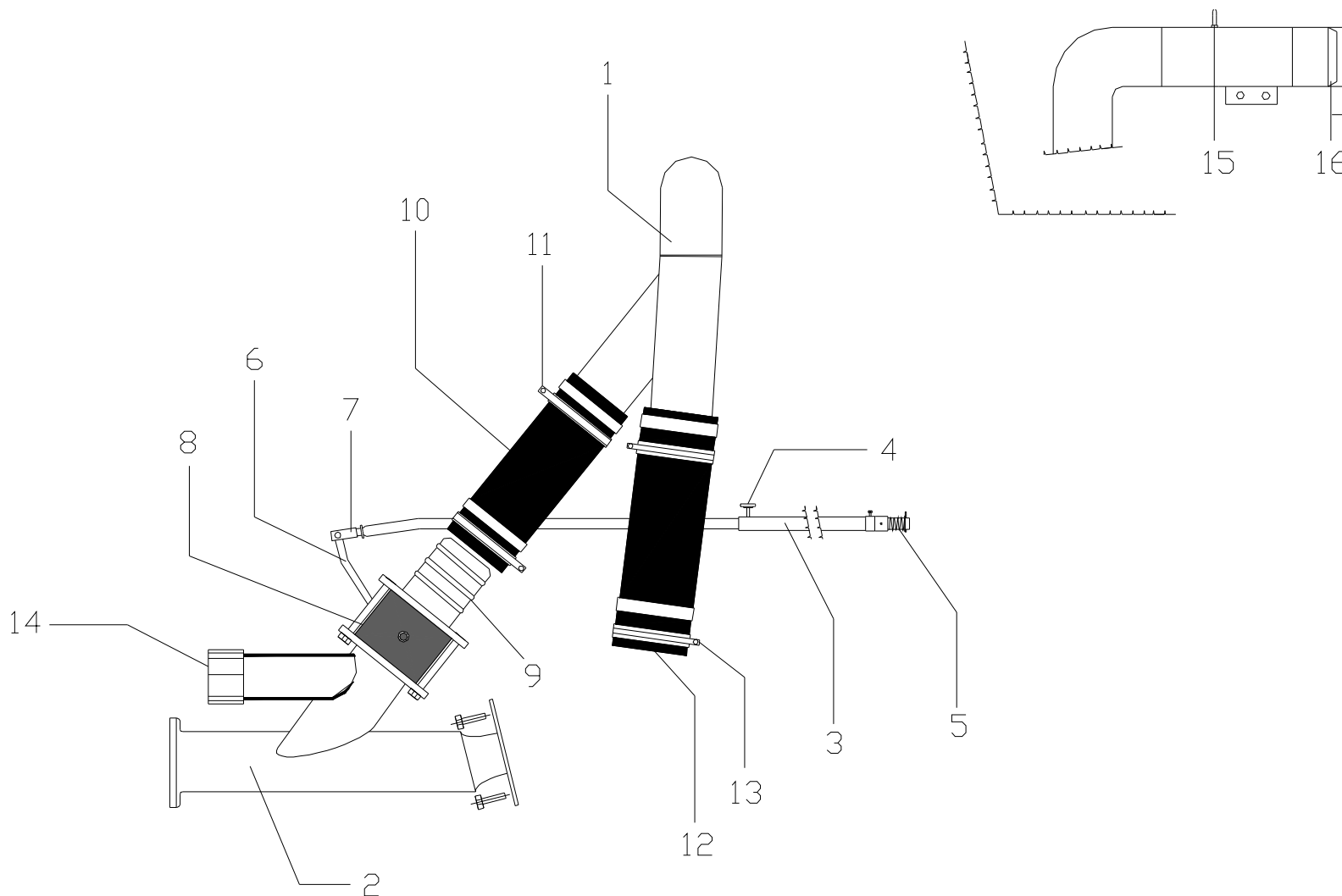
Modello / Model / Modèle / Model

**Tutti / All / Tous / Allen**

Particolare / Part / Part / Einzelheit

**PERCORSO ACQUA / WATER PIPEWORK**

**PARCOURS de l'EAU / EINLAUFVERROHRUNG**





Struttura

**G2**

Modello / Model / Modèle / Model

**Tutti / All / Tous / Allen**

Particolare / Part / Part / Einzelheit

**PERCORSO ACQUA / WATER PIPEWORK**

**PARCOURS de l'EAU / EINLAUFVERROHRUNG**

Fig.	Cod.	Q.tà	Descrizione	Description	Description	Beschreibung	Applicazione Application Applikation
1	50-01-00004	1	Percorso acqua sopraturbina	Pipe work up	Parcours de l'eau sur turbine	Verrohrung über Turbine	
2	50-01-00014	1	Percorso acqua sottoturbinata	Pipe work bottom	Parcours de l'eau sous turbine	Verrohrung unter Turbine	
3	50-01-00218	1	Leva regolatore by-pass	By-pass adjusting lever	Levier régulateur by-pass	By-pass Verstellbarhebel	
4	50-01-00296	1	Pomello Ø40 8x15	Hand-grip Ø40 8x15	Bouton Ø40 8x15	Knopf Ø40 8x15	
5	50-01-00293	1	Molla con pos-85	Spring	Ressort	Feder	
6	50-01-00225	1	Regolatore By-pass	By-pass adjuster	Régulateur By-pass	By-pass Verstellung	
7	50-01-00255	1	Forcella Ø8 lunga con serraggio	Fork Ø8	Fourchette Ø8	Gabel Ø8	
8	50-01-00055	1	Valvola by-pass 2 1/2"	By-pass valve 2 1/2"	Vanne by-pass 2 1/2"	By-pass Ventil 2 1/2"	
9	50-01-00027	1	Tronchetto portagomma flangiato	Flanged section fitting	Section joint flangé	Schlauchanschlussstrecke geflanscht	
10	50-01-00047	mt. 0,30	Tubo in gomma Ø60	Rubber hose Ø60	Tuyau en caoutchouc Ø60	Schlauch Ø60	
11	50-01-00245	4	Fascette 68-73	Clamp 68-73	Bande 68-73	Schelle 68-73	
12	50-01-00049	mt 0,30	Tubo in gomma Ø80	Rubber hose Ø80	Tuyau en caoutchouc Ø80	Schlauch Ø80	
13	50-01-00247	4	Fascette 86-91	Clamp 86-91	Bande 86-91	Schelle 86-91	
14	50-01-00052	1	Tappo esagonale Ø60	Hexagonal cap Ø60	Hexagonal bouchon Ø60	Sechseckig Kupfer Ø60	
15	50-01-00032	1	Tenuta acqua Ø70	Seal-pipe Ø70	Tube à étanche d'eau Ø70	Dichtungsrohr Ø70	
16	50-01-00040	1	Guarnizione LOM+OR 848 Ø70	LOM+OR gasket 848 Ø70	Garniture LOM+OR 848 Ø70	LOM+OR Dichtung 848 Ø70	



Struttura

**G2**

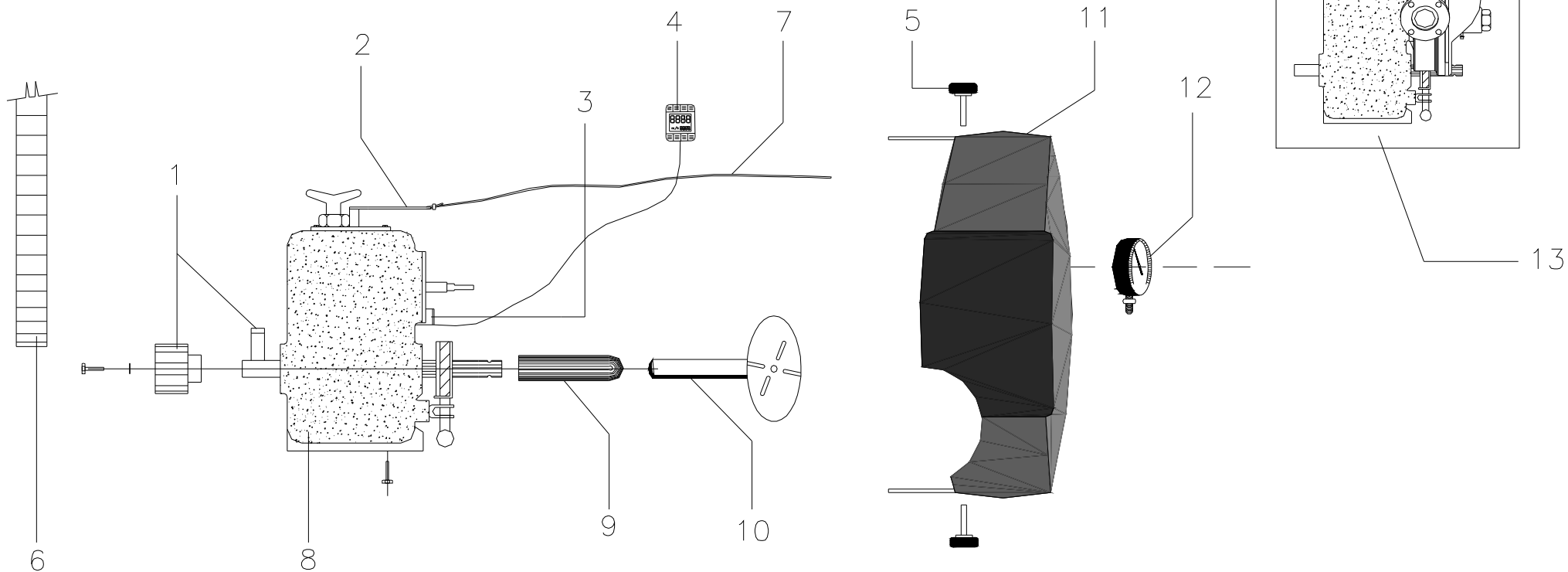
Modello / Model / Modèle / Model

**Tutti / All / Tous / Allen**

Particolare / Part / Part / Einzelheit

**ACCOPPIAMENTO RIDUTTORE - CORONA DENTATA / GEARBOX - TOOTHED CROWN ASSEMBLY**

**GROUP REDUCTEUR - COURONNE / GETRIEBE-KEILRIEMENSCH. - ZAHNKRANZ AGGREGAT**







Struttura

**G2**

Modello / Model / Modèle / Model

**Tutti / All / Tous / Allen**

Particolare / Part / Part / Einzelheit

**ACCOPIAMENTO RIDUTTORE - CORONA DENTATA / GEARBOX - TOOTHED CROWN ASSEMBLY**

**GROUP REDUCTEUR - COURONNE / GETRIEBE-KEILRIEMENSCH. - ZAHNKRANZ AGGREGAT**

Fig.	Cod.	Q.tà	Descrizione	Description	Description	Beschreibung	APPLICAZIONE APPLICATION APPLIKATION
1	50-01-00309	1	Pignone con chiavetta Z10 M7 Ø30	Pinion with key Z10 M7 Ø30	Pignon avec clef Z10 M7 Ø30	Antriebzahnrad Z10 M7 Ø30	
2	50-01-00223	1	Disinnesto riduttore	Gearbox release	Débrayage réducteur	Getriebe Abschaltung	
3	50-01-00335	1	Magnete con blocco in PVC	Magnet with PVC block	Aimant avec bloc en PVC	Magnet mit PVC Block	
4	50-01-00336	1	Contametri digitale	Digital counter-meters	Compte-metres digital	Digital Meterzähler	
5	50-01-00296	3	Pomello Ø40 8x15	Hand-grip Ø40 8x15	Bouton Ø40 8x15	Knopf Ø40 8x15	
6	50-01-00319	1	Corona dentata 1239	Toothed crown 1239	Couronne 1239	Zahnkranz 1239	
7	50-01-00369	Mt 1,20	Cavo in acciaio Ø3	Steel cable Ø3	Câble en acier Ø3	Stahlkabel Ø3	
8	50-01-00304	1	Riduttore COMER D-745 4V	Gearbox COMER D-743 4V	Réducteur COMER D-743 4V	Getriebe COMER D-743 4V	
9	50-01-00338	1	Cappuccio PDF	Pto cap	Capuchon prise de forse	Haube	
10	50-01-00337	1	Volantino	Hand wheel	Volant	Handrad	
11	50-01-00333	1	Protezione turbina	Turbine guard	Protection turbine	Turbinegehäuse	
12	50-01-00339	1	Manometro alla glicerina	Manometer	Manomètre	Manometer	
13	50-01-00677	1	Turboriduttore	Gearbox+turbine	Réducteur+turbine	Getriebe+Turbine	

Struttura

**G2**

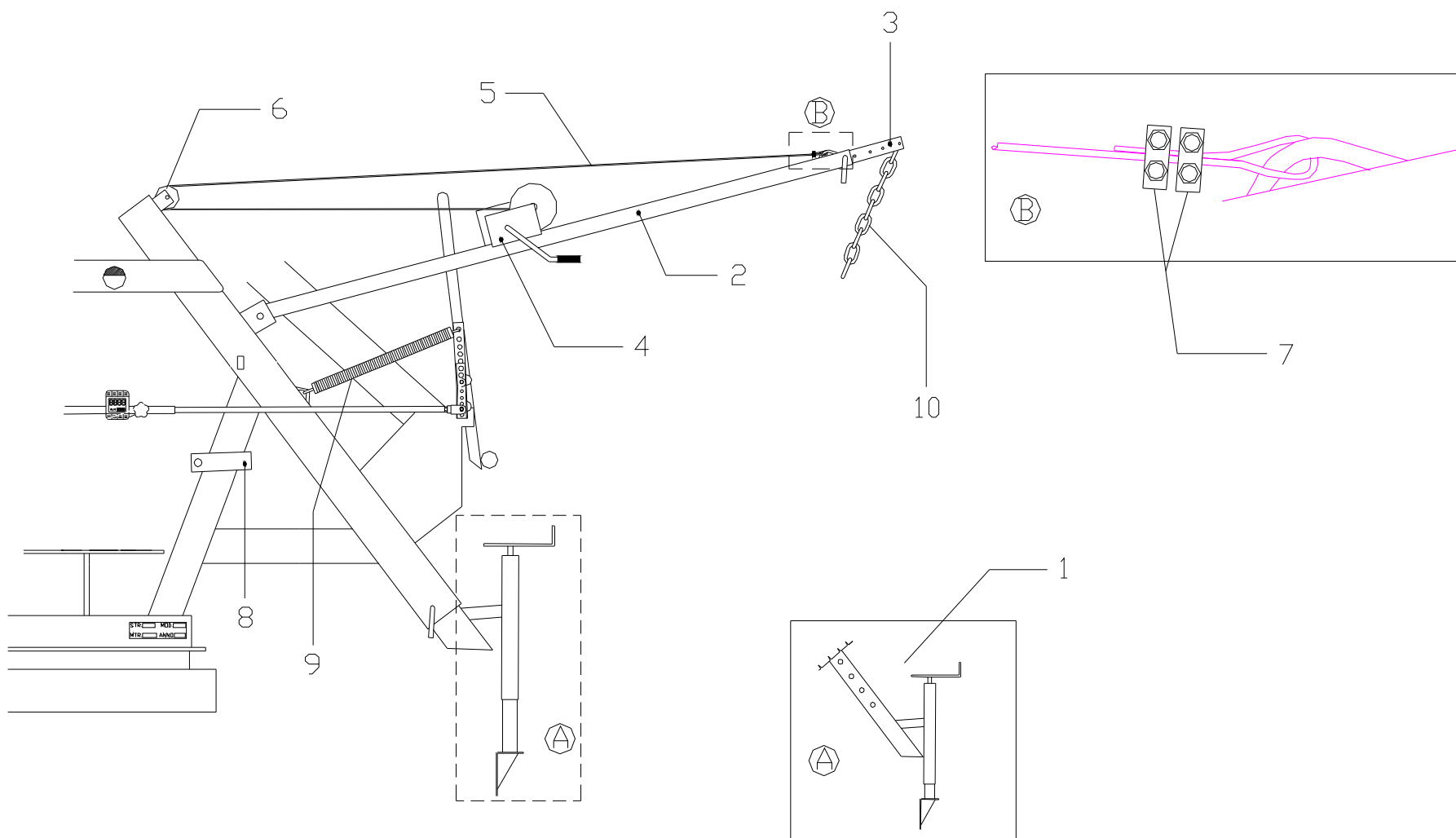
Modello / Model / Modèle / Model

**Tutti / All / Tous / Allen**

Particolare / Part / Part / Einzelheit

**ANCORAGGIO E SOLLEVAMENTO CARRELLO / TROLLEY FIXING AND LIFTING**

**MOUILLAGE ET CHARGEMENT CHARIOT / STATIVVERANKERUNG UND HEBEN**





Struttura

**G2**

Modello / Model / Modèle / Model

**Tutti / All / Tous / Allen**

Particolare / Part / Part / Einzelheit

**ANCORAGGIO E SOLLEVAMENTO CARRELLO / TROLLEY FIXING AND LIFTING**

**MOUILLAGE ET CHARGEMENT CHARIOT / STATIVVERANKERUNG UND HEBEN**

Fig.	Cod.	Q.tà	Descrizione	Description	Description	Beschreibung	Applicazione Application Applikation
1	50-01-00341	2	Sfilabile interno di stazionamento	Internal staker leg	Béquille intérieure	Zugshaftinnenseite	
2	50-01-00355	1	Carica carrello esterno	External trolley lifter	Chargeur du chariot extérieur	Außenhebevorrichtung	
3	50-01-00354	1	Carica carrello interno	Internal trolley lifter	Chargeur du chariot intérieur	Innenhebevorrichtung	
4	50-01-00367	1	Arganello manuale 550 Kg.	Manual winch 550 Kg.	Cabestan manuel 550 Kg.	Handwinde 550 Kg.	
5	50-01-00370	mt 7,10	Cavo in acciaio Ø5	Steel cable Ø5	Câble en acier Ø5	Stahlkabel Ø5	
6	50-01-00368	1	Carrucola Ø60	Pulley Ø60	Poulie Ø60	Rolle Ø60	
7	50-01-00371	2	Morsetto ferma cavo	Cable fixing clamp	Serre-fils pour câble	Kabelklammer	
8	50-01-00363	1	Cricchetto	Jack	Cric	Sperrklinke	
9	50-01-00292	1	Molla 200x38x4	Spring 200x38x4	Ressort 200x38x4	Feder 200x38x4	
10	50-01-00438	mt 2,20	Catena Ø9	Chain Ø9	Chaîne Ø9	Kette Ø9	



Struttura

**G2**

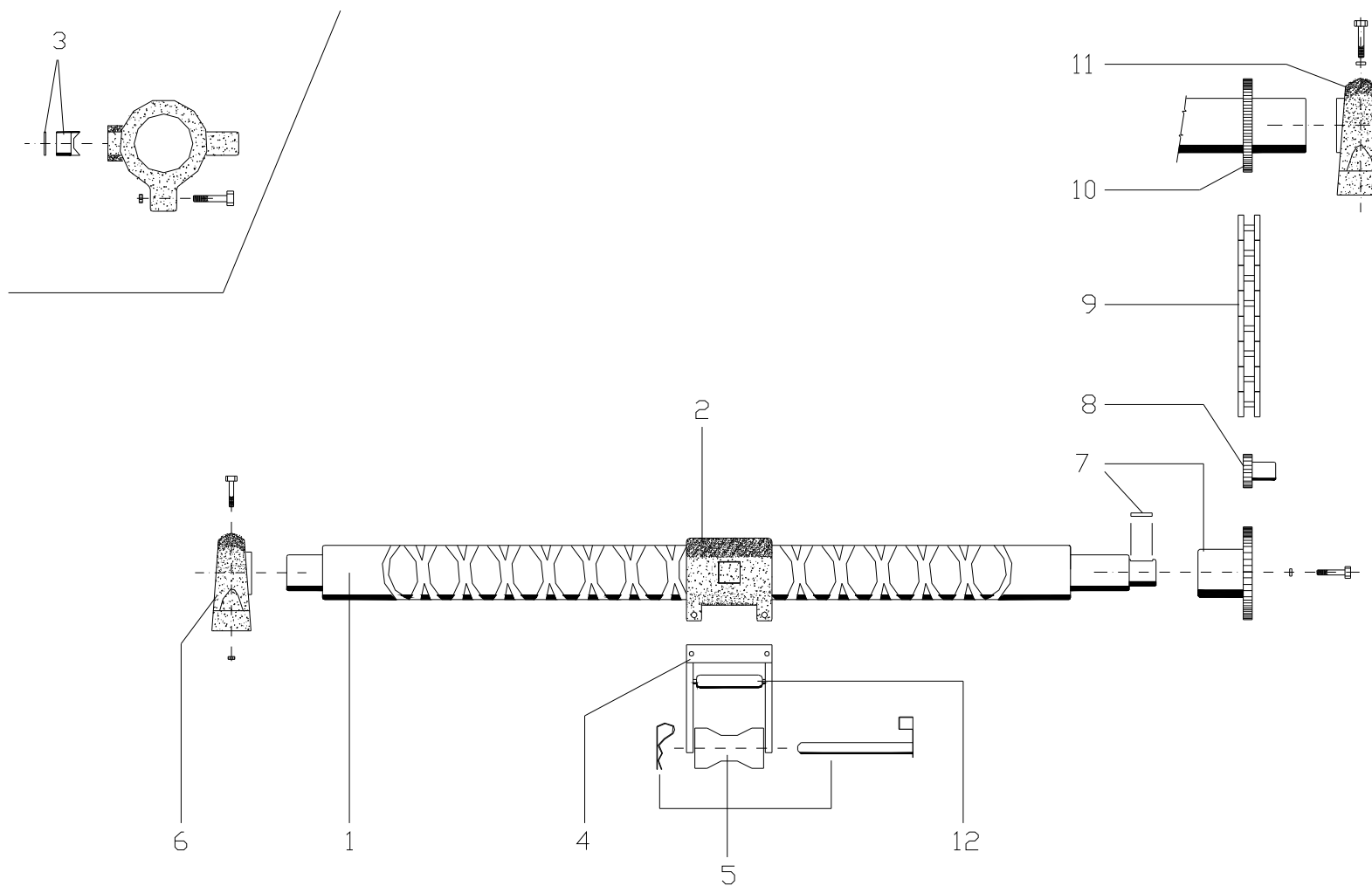
Modello / Model / Modèle / Model

**Tutti / All / Tous / Allen**

Particolare / Part / Part / Einzelheit

**BARRA di SCORRIMENTO / SLIDING BAR**

**BARRE de ECOULEMENT / GLEITUNGSTANGE**





Struttura

**G2**

Modello / Model / Modèle / Model

**Tutti / All / Tous / Allen**

Particolare / Part / Part / Einzelheit

**BARRA di SCORRIMENTO / SLIDING BAR**

**BARRE de ECOULEMENT / GLEITUNGSTANGE**

Fig.	Cod.	Q.tà	Descrizione	Description	Description	Beschreibung	Applicazione Application Applikation
1	50-01-00110	1	Barra di scorrimento L 1165	Sliding bar L 1165	Barre d'écoulement L 1165	Gleitungsstange L 1165	
2	50-01-00116	1	Blocco di scorrimento	Sliding block	Bloc d'écoulement	Gleitungsblock	
3	50-01-00121	1	Nottolino Ø 40 mod. 1	Pawl Ø 40 mod. 1	Taquet Ø 40 mod. 1	Klinke Ø 40 Mod. 1	
4	50-01-00138	1	Supporto entrata tubo PE	PE hose inlet support	Palier entrée tuyau PE	Spulwagenrahmen	
5	50-01-00126	1	Rocchetto in nylon	Nylon reel	Bobine en nylon	Nylon Spule	
6	50-01-00228	2	Supporto UCP 206	UCP 206 support	Palier UCP 206	UCP 206 Stehlager	
7	50-01-00172	1	Pignone 5/8 Z13 Ø25	Pinion 5/8 Z13 Ø25	Pignon 5/8 Z13 Ø25	Kettenrad 5/8 Z13 Ø25	Ø70-75-82
7	50-01-00171	1	Pignone 5/8 Z10 Ø25	Pinion 5/8 Z10 Ø25	Pignon 5/8 Z10 Ø25	Kettenrad 5/8 Z10 Ø25	Ø90
8	50-01-00123	1	Tendicatena 5/8	Chain stretcher 5/8	Tendeur de chaîne 5/8	Kettenspanner 5/8	
9	50-01-00124	mt 2,5	Catena 5/8	Chain 5/8	Chaîne 5/8	Kette 5/8	
10	50-01-00149	1	Corona 5/8 Z23 Ø52	Crown 5/8 Z23 Ø52	Couronne 5/8 Z23 Ø52	Zahnkranz 5/8 Z23 Ø52	Ø70
10	50-01-00151	1	Corona 5/8 Z25 Ø52	Crown 5/8 Z25 Ø52	Couronne 5/8 Z25 Ø52	Zahnkranz 5/8 Z25 Ø52	Ø75
10	50-01-00152	1	Corona 5/8 Z28 Ø52	Crown 5/8 Z28 Ø52	Couronne 5/8 Z28 Ø52	Zahnkranz 5/8 Z28 Ø52	Ø82
10	50-01-00150	1	Corona 5/8 Z24 Ø52	Crown 5/8 Z24 Ø52	Couronne 5/8 Z24 Ø52	Zahnkranz 5/8 Z24 Ø52	Ø90
11	50-01-00229	1	Supporto UCP 207	UCP 207 support	Palier UCP 207	UCP 207 Stehlager	
12	50-01-00131	1	Rocchetto in ferro Ø32 L90	Iron reel Ø32 L90	Bobine en fer Ø32 L90	Eisenspule Ø32 L90	



Struttura

**G2**

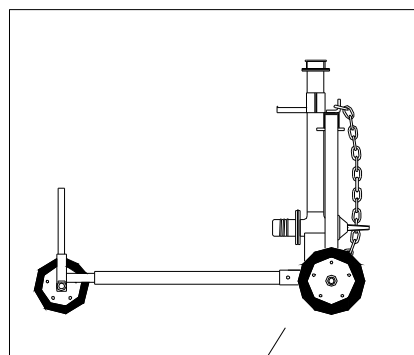
Modello / Model / Modèle / Model

**70/300**

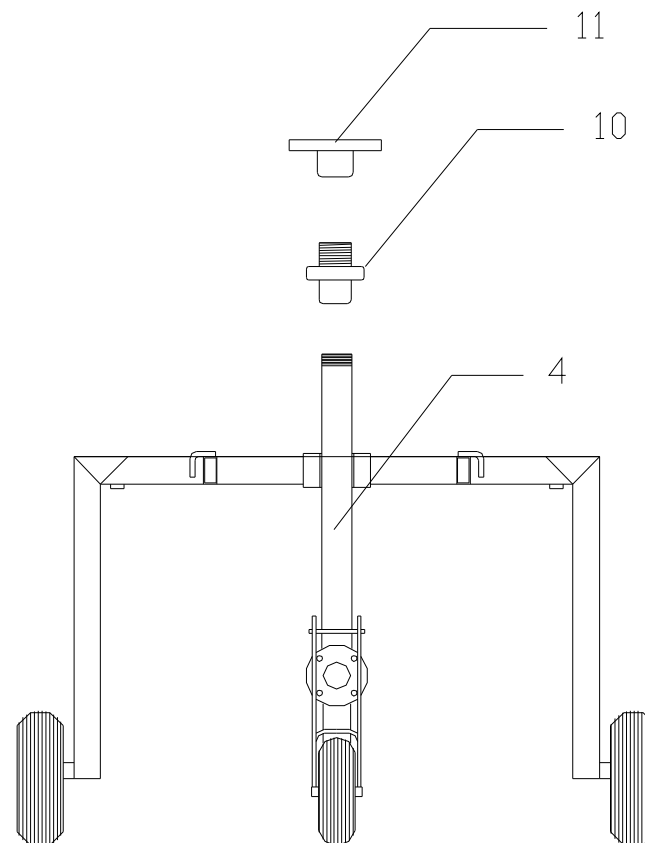
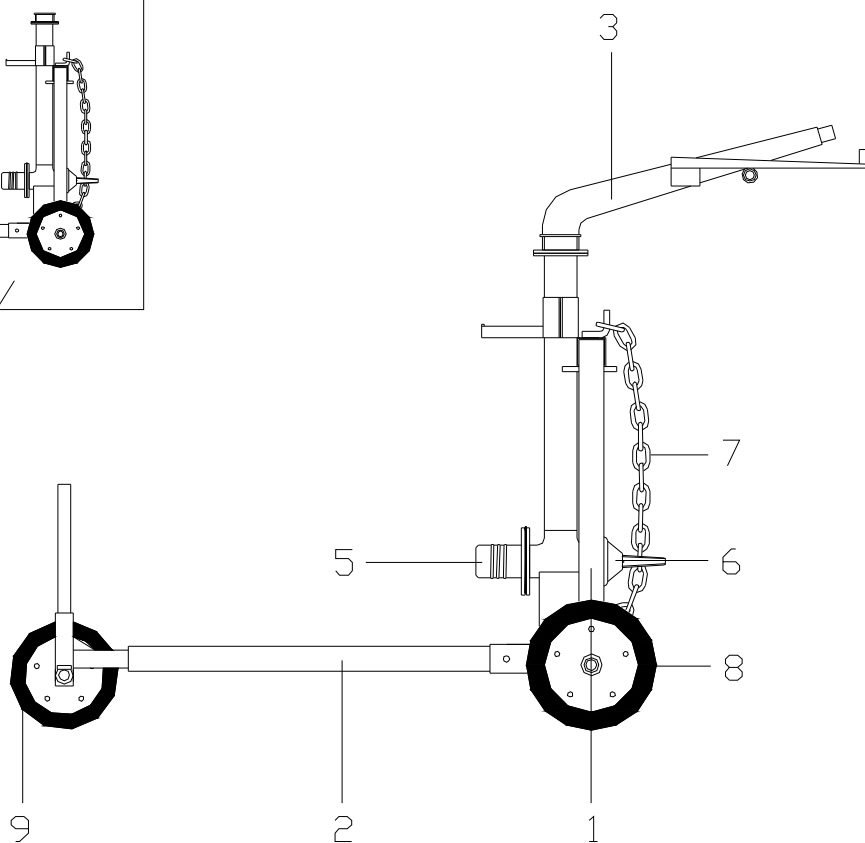
Particolare / Part / Part / Einzelheit

**CARRELLO / TROLLEY**

**CHARIOT / STATIV**



12





Struttura

G2

Modello / Model / Modèle / Model

70/300

Particolare / Part / Part / Einzelheit

CARRELLO / TROLLEY

CHARIOT / STATIV

Fig.	Cod.	Q.tà	Descrizione	Description	Description	Beschreibung	Applicazione Application Applikation
1	50-01-00374	2	Gamba carrello	Trolley leg	Pied du chariot	Stativradhalter	
2	50-01-00392	1	Slitta carrello	Trolley slide	Traîneau du chariot	Stativschlitten	
3	50-01-00611	1	Irrigatore SINKRO	Sprinkler SINKRO	Asperseur SINKRO	Regner SINKRO	
3	50-01-00615	1	Irrigatore TWIN 101	Sprinkler TWIN 101	Asperseur TWIN 101	Regner TWIN 101	
4	50-01-00382	1	Corpo carrello	Trolley body	Châssis du chariot	Stativmittelrohr	
5	50-01-00399	1	Bocchettone	Trolley knock-off	Barre de débrayage	Abschalt Klemmvorrichtung	
6	50-01-00636	1	Tappo Ferrari F Ø60	Ferrari F cap Ø60	Bouchon Ferrari F Ø60	Ferrari Kupfer M-Teile Ø60	
7	50-01-00439	mt 1,30	Catena Ø12	Chain Ø12	Chaîne Ø12	Kette Ø12	
8	50-01-00276	2	Ruota carrello 360x100	Trolley wheel 360x100	Roue du chariot 360x100	Stativ Rad 360x100	
9	50-01-00277	1	Ruota slitta 300x85	Slide wheel 300x85	Roue du traîneau 300x85	Schlittenrad 300x85	
10	50-01-00653	1	Riduzione zincata F 2"-M 2½"	Galvanised reduction F 2"-M 2½"	Reduction galvanisé F 2"-M 2½"	Reduktion verzinkt F 2"-M 2½"	Ø70 SINKRO
11	50-01-00654	1	Adattatore F2"-PULSAR	Adapter F2"-PULSAR	Adaptateur F2"-PULSAR	Adapter F2"-PULSAR	Ø70 TWIN 101
12	50-01-00424	1	Carrello completo	Complete trolley	Chariot complète	Stativ kompl.	



Struttura

**G2**

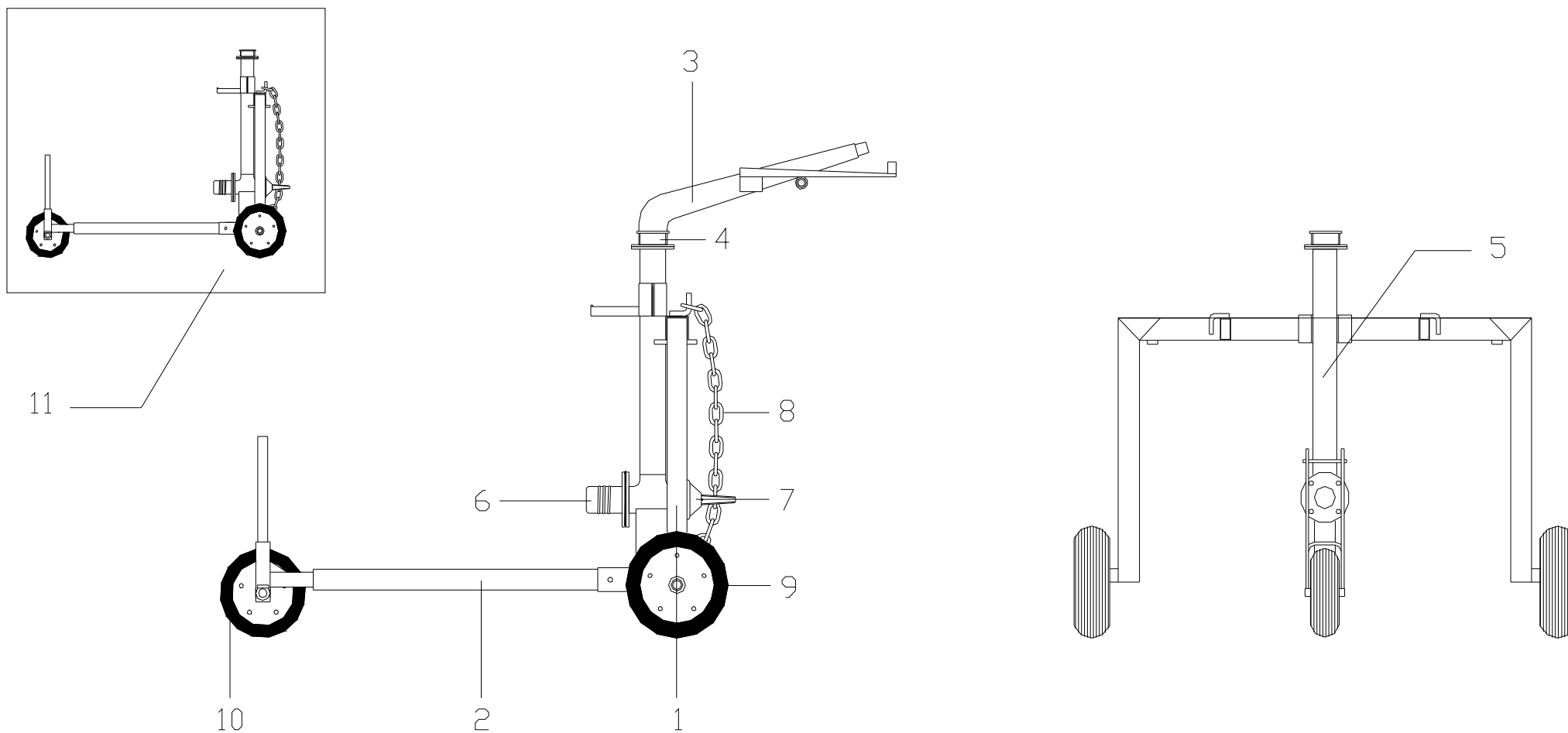
Modello / Model / Modèle / Model

**75/300 – 75/320 – 82/220 – 82/250 – 82/300 – 90/220 – 90/250**

Particolare / Part / Part / Einzelheit

**CARRELLO / TROLLEY**

**CHARIOT / STATIV**







Struttura

G2

Modello / Model / Modèle / Model

75/300 – 75/320 – 82/220 – 82/250 – 82/300 – 90/220 – 90/250

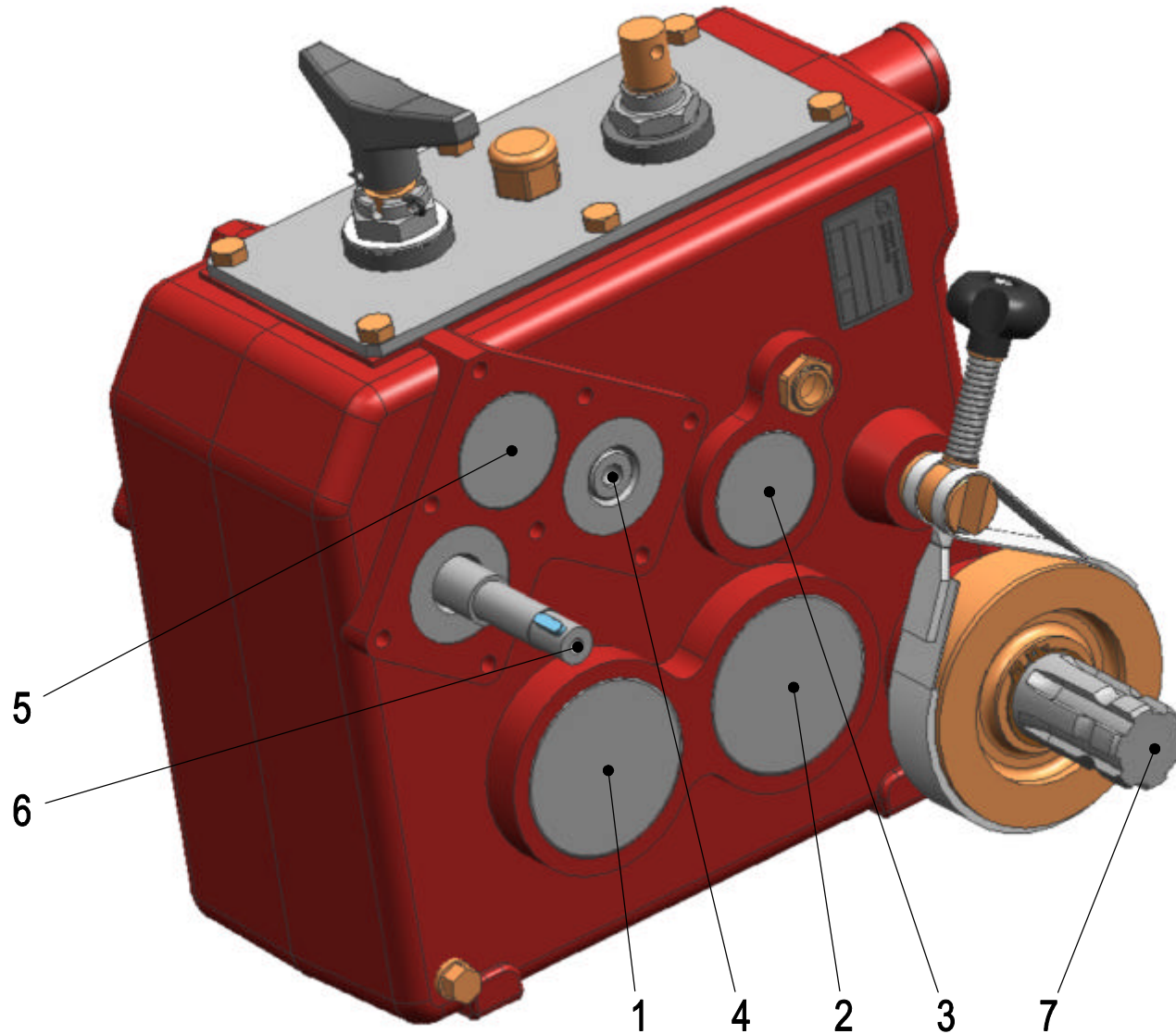
Particolare / Part / Part / Einzelheit

CARRELLO / TROLLEY

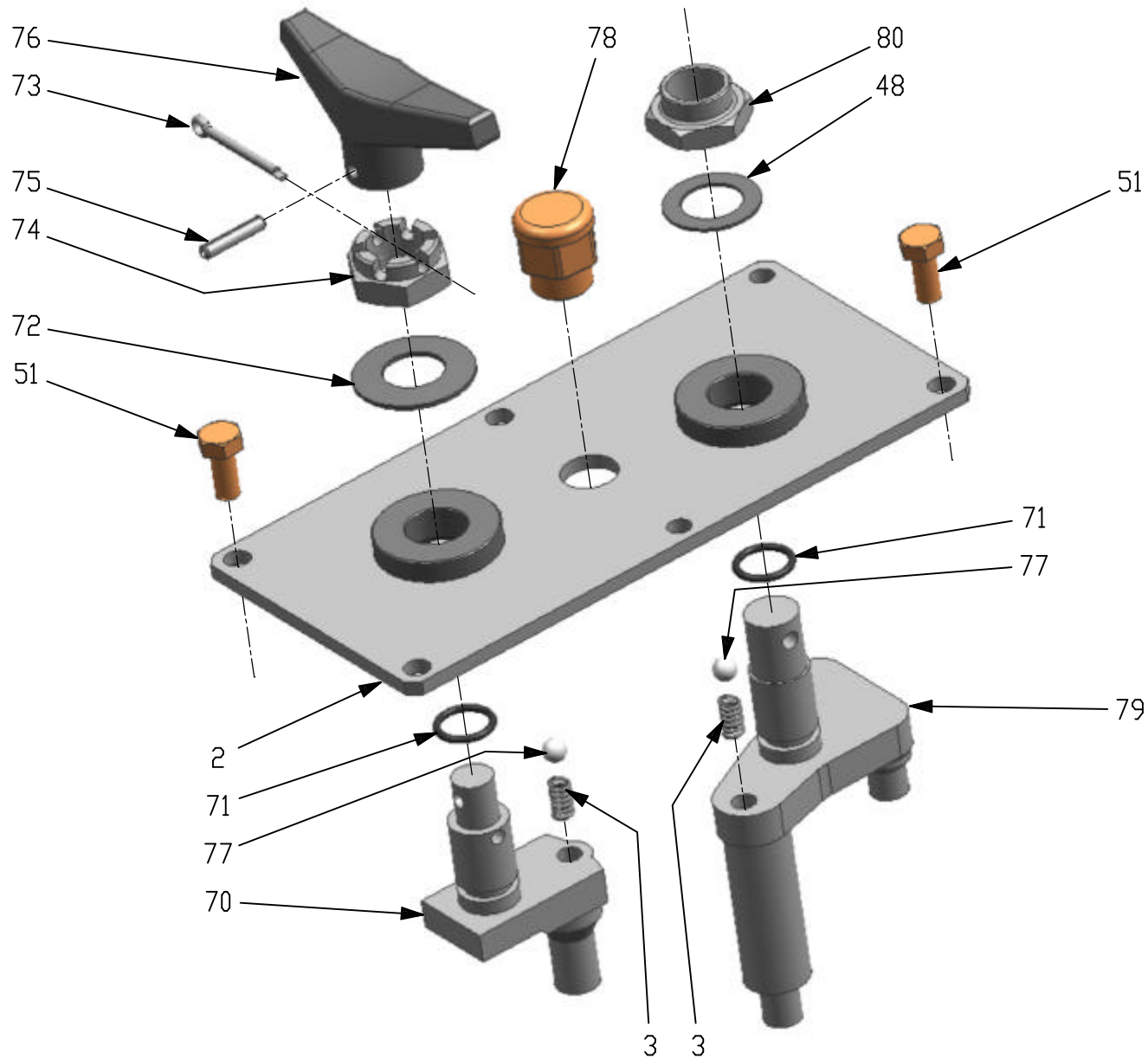
CHARIOT / STATIV

Fig.	Cod.	Q.tà	Descrizione	Description	Description	Beschreibung	Applicazione Application Applikation
1	50-01-00375	2	Gamba carrello	Trolley leg	Pied du chariot	Stativradhalter	
2	50-01-00393	1	Slitta carrello	Trolley slide	Traineau du chariot	Stativschlitten	
3	50-01-00611	1	Irrigatore SYNKRO	Sprinkler SYNKRO	Asperseur SYNKRO	Regner SYNKRO	Ø75-82
3	50-01-00615	1	Irrigatore TWIN 101	Sprinkler TWIN 101	Asperseur TWIN 101	Regner TWIN 101	Ø75-82
3	50-01-00612	1	Irrigatore RANGER	Sprinkler RANGER	Asperseur RANGER	Regner RANGER	Ø90
3	50-01-00616	1	Irrigatore TWIN 140	Sprinkler TWIN 140	Asperseur TWIN 140	Regner TWIN 140	Ø90
4	50-01-00417	1	Adattatore carrello-irrigatore Sinkro	Trolley-sprinkler Sinkro dapter	Adaptateur chariot-asperseur Sinkro	Stativ-Regner Adapter Sinkro	Ø75-82
4	50-01-00418	1	Adattatore carrello-irrigatore Ranger	Trolley-sprinkler Ranger dapter	Adaptateur chariot-asperseur Ranger	Stativ-Regner Adapter Ranger	Ø90
5	50-01-00384	1	Corpo carrello	Trolley body	Châssis du chariot	Stativmittelrohr	
6	50-01-00400	1	Bocchettone	Trolley knock-off *	Barre de débrayage *	Abschalt Klemmvorrichtung	Ø75-82
6	50-01-00401	1	Bocchettone	Trolley knock-off *	Barre de débrayage *	Abschalt Klemmvorrichtung	Ø90
7	50-01-00518	1	Tappo Bauer Ø76	Bauer cap Ø76	Bouchon Bauer Ø76	Bauer Kupfer Ø76	
8	50-01-00439	mt 1,30	Catena Ø12	Chain Ø12	Chaîne Ø12	Kette Ø12	
9	50-01-00276	2	Ruota carrello 360x100	Trolley wheel 360x100	Roue du chariot 360x100	Stativ Rad 360x100	
10	50-01-00277	1	Ruota slitta 300x85	Slide wheel 300x85	Roue du traîneau 300x85	Schlittenrad 300x85	
11	50-01-00425	1	Carrello completo	Complete trolley	Chariot complète	Stativ kompl.	

DITTA	RIF.	DENOMINAZIONE D-745 A
	DATA 23-04-2004	CODICE 745.039.30



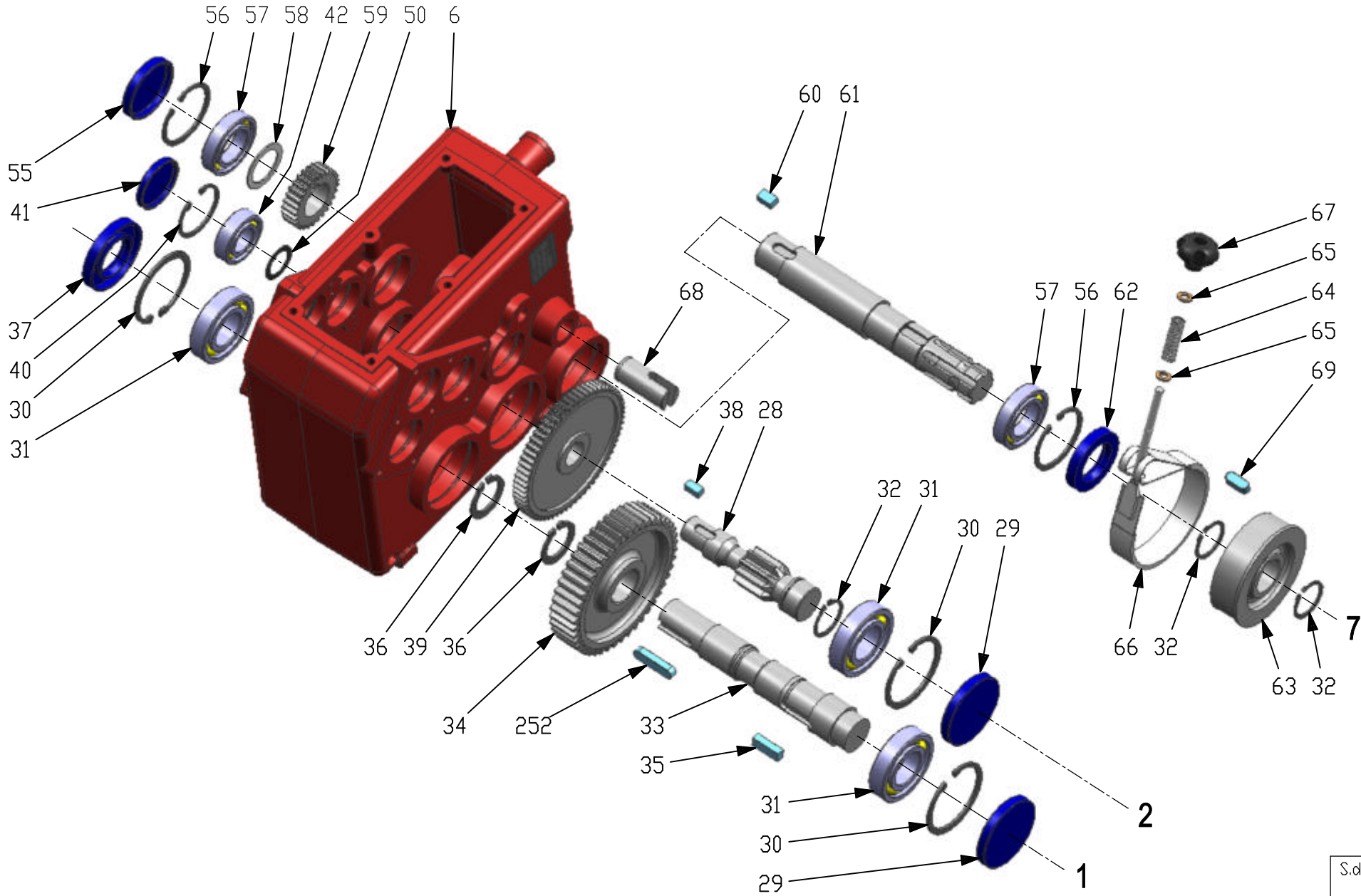
DITTA	RIF.	DENOMINAZIONE
	DATA	CODICE
	23-04-2004	D-745 A 745.039.30



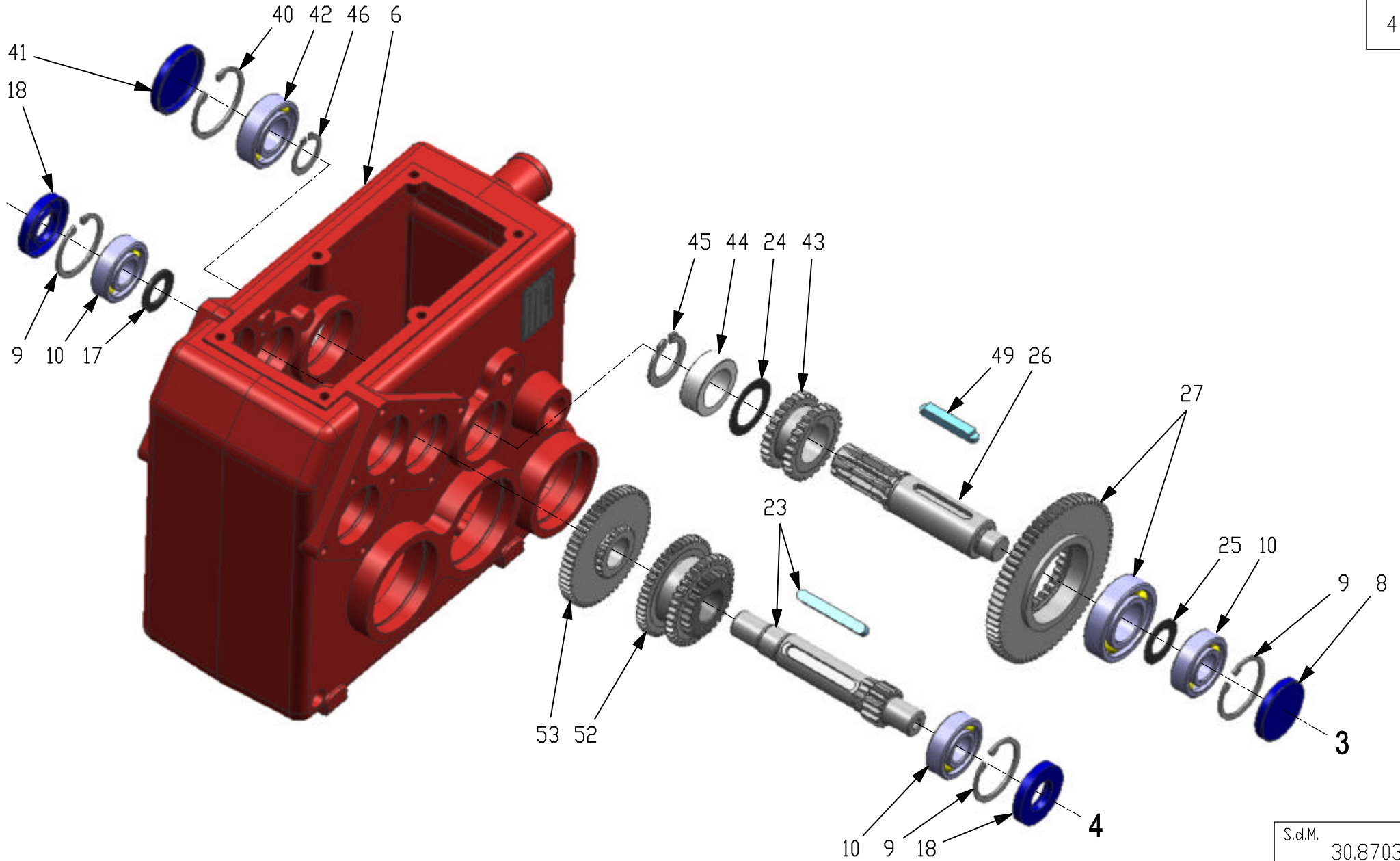
DITTA
-------

RIF.
DATA 23-04-2004

DENOMINAZIONE D-745 A
CODICE 745.039.30

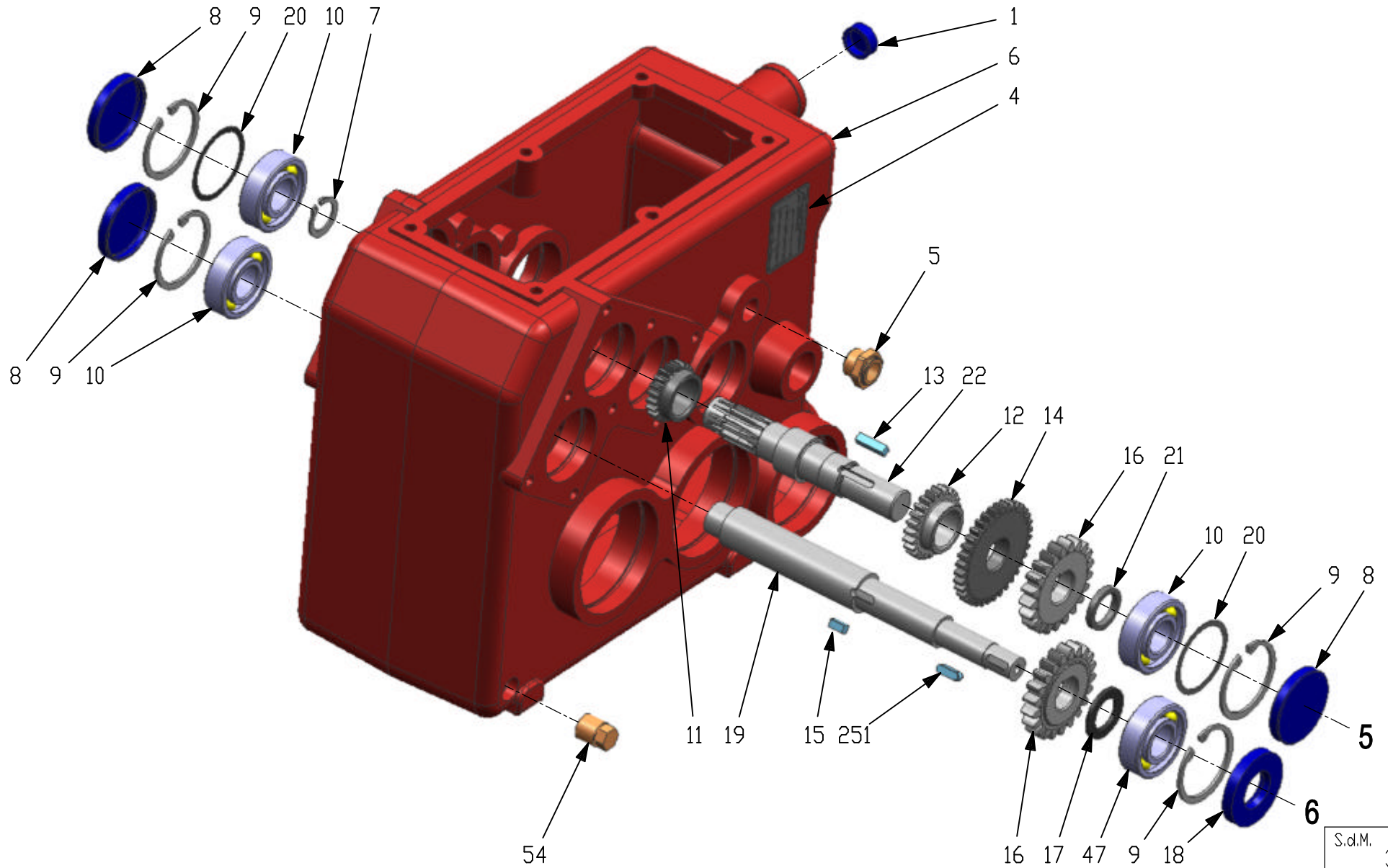


DITTA	RIF.	DENOMINAZIONE D-745 A
	DATA 23-04-2004	CODICE 745.039.30





DITTA	RIF.	DENOMINAZIONE
	DATA	CODICE
	23-04-2004	D-745 A 745.039.30



DENOMINAZIONE SCATOLA INGRANAGGI D-745A

CODICE 9.745.039.30

POS.	N° DISEGNO	PEZZI	DESCRIZIONE
1	01202.069.041	1	TAPPO X FORO 20
2	2.744.1321.00	1	COPERCHIO CAMBIO 4 VEL.
3	0.721.7101.00	2	MOLLA
4	0.124.7101.00	1	TARGHETTA "COMER"
5	8.6.4.00273	1	SPIA LIV.FILET.guar3/8"GASTLA2
6	0.745.0300.00	1	SCATOLA
7	8.5.1.00261	1	ANELLO EL.SIC.X ALB 20 UNI7435
8	8.7.0.01362	4	CAPPELLOTTO DI CHI. 47X7
9	8.5.2.01290	7	ANELLO EL.SIC.X FOR 47 UNI7437
10	8.0.1.00405	6	CUSC. SFERE CLB 6204
11	0.735.5001.00	1	PIGNONE CILIND. Z22 M1.5
12	0.744.5015.00	1	PIGNONE CIL. Z24 M1.75
13	8.4.1.01617	1	LINGUETTA UNI6604 B 5X5X20
14	0.744.6007.00	1	CORONA CIL. Z35 M1.75
15	8.4.1.01511	1	LINGUETTA UNI6604 B 5X5X10
16	0.744.6018.00	2	INGRANAGGIO Z21 M2.5
17	0.104.7525.00	2	SPES.REG. 32.0x20.3x2.5
18	8.7.3.01395	3	ANEL.TEN.NORM. BA 20X47X7
19	0.744.2012.00	1	ALBERO LISCIO ENT.
20	0.457.7500.00	2	SPES. REG. 40.3X46.7
21	0.744.7104.00	1	DISTANZIALE 20.9x26.9x4
22	0.744.5011.00	1	ALBERO PIGNONE CIL.Z12 M1.5
23	2.744.5029.00	1	ALBERO PIGN.+ LINGUETTA
24	0.102.7510.00	1	SPES.REG. 44.0x30.3x1.0
25	0.742.7510.00	1	SPES.REG. 20.5X34.8X1
26	0.745.5008.00	1	ALBERO PIGNONE Z10 M2
27	2.744.6010.00	1	INGRANAGGIO I.D.+ CUSC.6206
28	0.745.5000.00	1	ALBERO-PIGNONE Z10 M3
29	8.7.0.00744	2	CAPPELLOTTO DI CHI. 72X10
30	8.5.2.00131	3	ANELLO EL.SIC.X FOR 72 UNI7437
31	8.0.1.00870	3	CUSC. SFERE CLB 6207
32	8.5.1.00005	3	ANELLO EL.SIC.X ALB 35 UNI7435
33	0.745.3000.00	1	ALBERO USCITA 32
34	0.745.6000.00	1	CORONA CILIN. Z46 M3
35	8.4.1.00993	1	LING. TEMPRATA B 10X8X30
36	8.5.1.00583	2	ANEL.SIC.xALB.H=2,5 35 UNI7436
37	8.7.3.00055	1	ANEL.TEN.NORM. BA 35X72X10
38	8.4.1.01041	1	LINGUETTA UNI6604 B 8X7X16
39	0.745.6002.00	1	CORONA CILIN. Z67 M2
40	8.5.2.00038	2	ANELLO EL.SIC.X FOR 52 UNI7437
41	8.7.0.00693	2	CAPPELLOTTO DI CHI. 52X7
42	8.0.1.00034	2	CUSC. SFERE CLB 6205
43	0.744.7000.00	1	BOCCOLA X I.D.
44	0.744.7106.00	1	DISTANZIALE 30.1x44.5x15
45	8.5.1.01082	1	ANEL.SIC.xALB.H=2 30 UNI7436
46	8.5.1.00004	1	ANELLO EL.SIC.X ALB 25 UNI7435
47	8.0.1.01945	1	CUSC. SFERE CLA 6204
48	0.104.7510.00	1	SPES.REG. 32.0x20.3x1.0
49	0.744.7112.00	1	LINGUETTA SAGOMATA
50	0.100.7510.00	1	SPES.REG. 35.3x25.6x1.0
51	8.1.1.01676	6	VITE Zn TE UNI5739 M8X18 8.8
52	2.744.5007.00	1	COMPOSTO INGRANAGGIO
53	0.744.6003.00	1	CORONA CIL.+ I.D. Z58 M1.5
54	8.6.5.00006	1	TAPPO CON.ESAG.EST. 3/8"GAS

DENOMINAZIONE SCATOLA INGRANAGGI D-745A

CODICE 9.745.039.30

POS.	N° DISEGNO	PEZZI	DESCRIZIONE
55	8.7.0.00743	1	CAPPELLOTTO DI CHI. 62X10
56	8.5.2.00007	2	ANELLO EL.SIC.X FOR 62 UNI7437
57	8.0.1.00000	2	CUSC. SFERE CLB 6007
58	0.259.7513.00	1	SPES.REG. 48.0x35.3x1.3
59	0.745.6001.00	1	CORONA CILIN. Z28 M2
60	8.4.1.01658	1	LING. TEMPRATA B 10X8X16
61	0.745.3001.00	1	ALBERO PTO 1"3/8 Z6
62	8.7.3.00003	1	ANEL.TEN.NORM. BA 35X62X10
63	0.744.6001.00	1	TAMBURO FRENO
64	0.735.7103.00	1	MOLLA X FRENO
65	8.3.2.00439	2	ROS.X VITI UNI6592 8,4X14
66	2.744.7006.00	1	NASTRO X FRENO
67	8.9.1.01713	1	POMOLO 4 LOBI 731-40 M8
68	0.744.7005.00	1	PERNO
69	8.4.1.00232	1	LINGUETTA UNI6604 A 10X8X25
70	2.744.7002.00	1	LEVA CAMBIO 4VEL.
71	8.7.6.00191	2	GUARN.TEN.O-RING OR-3062
72	8.5.5.01316	1	MOLLA A TAZZA 40X20.4X1.5
73	8.4.7.00760	1	COPIGLIA UNI1336 B4X35
74	8.2.2.00997	1	D.ES.INT.UNI5594 M20X1,5 PR80B
75	8.4.5.00934	1	SPINA EL/TP.PES/ 5X24DIN1481
76	1.721.7002.00	1	MANOPOLA
77	8.5.9.00166	2	SFERA 5/16" 7,9MM
78	8.6.7.00269	1	TAPPO SFI.ANTICOND. 1/2"GAS
79	2.744.7018.00	1	LEVA I.D.
80	0.744.7105.00	1	DADO AD ACCIACC. M20X1.5
	A.745.009	1	
251	8.4.1.02097	1	LINGUETTA UNI6604 A 5X5X16
252	8.4.1.00314	1	LINGUETTA UNI6604 A 10X8X45