

TECHNICAL DATASHEET TURBOCAR

JOLLY – J1



Illustrative purposes only; the model shown here could be different that one supplied

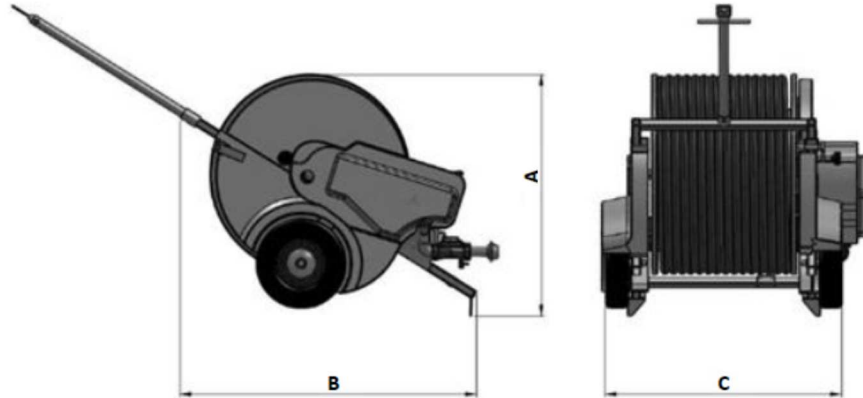
STANDARD EQUIPMENT

- High efficiency partial flow turbine drive directly coupled to the gearbox (minimum pressure losses in its category)
- Single-speed gearbox with oil lubrication
- Safety devices for PTO and rewinding out of the drum
- Moving transmission through toothed crown, which is placed close to the maximum stress point on the drum and not pushing against the hose reel borders
- Leadscrew driven hose layering guide
- Manual by-pass with speed control
- Glycerine filled pressure gauge
- Automatic trolley lift “retractable”
- Hot galvanised frame, pipework water and components
- Galvanised sprinkler trolley with adjustable track
- Accident prevention protections according to CE standard
- Sprinkler with set of nozzles
- High resistant low density PE hose
- Instructions and maintenance handbook
- CE Certificate
- Warranty certificate

Available Models

Structure	Model	P.E.B.D. Hose Ø (mm)	Hose length L (m)	Sprinkler
J1D	40 F 125	40	125	K1

Weight and overall dimensions



STRUCTURE	A	B	C	KG
J1	1250	1350	1100	220

Technical Features

NOZZLE SIZE		PRESSURE				IRRIGATED STRIP								Model: 40/125									
		INLET		SPRINKLER		FLOW		RADIUS		DIAMETER		SUGGESTED @ 85%		REWINDING TIME IN HOURS VELOCITY Imperial in inches/hour (in BLUE) / Metric in millimeters/hour (in WHITE)									
IN	MM	PSI	BAR	PSI	BAR	GPM	MC/H	FT	MT	FT	MT	FT	MT	30	9	50	15	60	19	80	25	100	30
														PRECIPITATION RATES IN MILLIMETERS / INCHES									
0.32	8	35	3.0	22.0	1.5	13	2.9	51	15.5	102	31	91.8	27.9	0.5	12.7	0.3	7.6	0.2	5.1	0.1	2.5	0.1	2.5
		45	4.2	30.0	2.0	15	3.4	56	17.1	112	34.2	95.2	29.0	0.5	12.7	0.3	7.6	0.3	7.6	0.2	5.1	0.1	2.5
		80	5.4	58.0	3.9	21	4.7	67	20.4	134	40.8	113.9	34.7	0.7	17.7	0.4	10.1	0.4	10.1	0.3	7.6	0.2	5.1
0.35	9	39	3.7	22.0	1.5	16	3.6	54	16.4	108	32.8	91.8	27.9	0.5	12.7	0.3	7.6	0.2	5.1	0.1	2.5	0.1	2.5
		48	5.2	30.0	2.0	19	4.3	57	17.3	114	34.6	96.9	29.5	0.5	12.7	0.3	7.6	0.3	7.6	0.2	5.1	0.1	2.5
		89	6.7	58.0	3.9	26	5.9	69	21.0	138	42.0	117.3	35.7	0.7	17.7	0.4	10.1	0.4	10.1	0.3	7.6	0.2	5.1
0.40	10	42	4.4	22.0	1.5	20	4.5	56	17.1	112	34.2	95.2	29.0	0.7	17.7	0.4	10.1	0.4	10.1	0.3	7.6	0.2	5.1
		54	6.3	30.0	2.0	23	5.2	59	17.9	118	35.8	100.3	30.5	0.8	20.3	0.5	12.7	0.4	10.1	0.3	7.6	0.2	5.1
		96	8.1	58.0	3.9	33	7.4	72	21.9	144	43.8	122.4	37.3	1.1	27.9	0.7	17.7	0.5	12.7	0.4	10.1	0.3	7.6
0.47	12	60	5.4	22.0	1.5	29	6.5	56	17.1	112	34.2	95.2	29.0	1.0	25.4	0.6	15.2	0.5	12.7	0.4	10.1	0.3	7.6
		68	7.7	30.0	2.0	34	7.7	62	18.8	124	37.6	105.4	32.1	0.9	22.8	0.5	12.7	0.4	10.1	0.3	7.6	0.2	5.1
		110	10.0	58.0	3.9	47	10.6	77	23.4	154	46.8	130.9	39.8	1.1	27.9	0.7	17.7	0.5	12.7	0.4	10.1	0.3	7.6



Outside Diameter of MDPE hose	40 mm	1.57 in
Inside Diameter of MDPE hose	33 mm	1.3 in
Length of MDPE hose	125 m	410 ft

* MDPE medium density poly ethylene